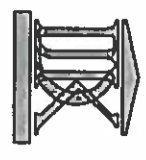


TRUSS #: 1
 TRUSS SIDE: S F



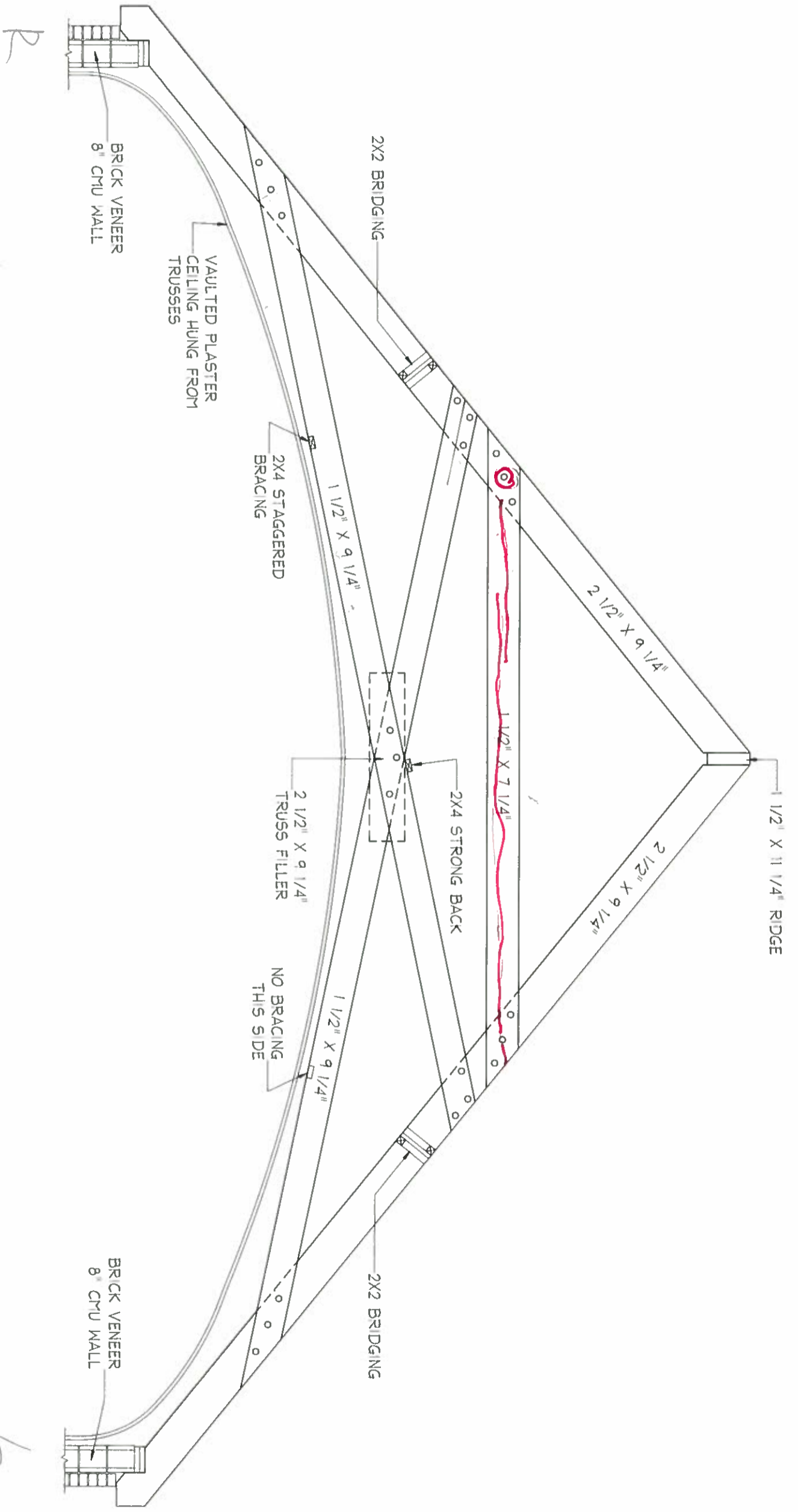
DENNIS KOWAL ARCHITECTS
 52 West Main Street • Somerville • New Jersey 08876 • Telephone 908-231-0201 • Fax 908-218-7979

PROJECT:

ZION LUTHERAN CHURCH
 215 ELM AVENUE, RAHWAY, NJ 07065
 TRUSS SURVEY: SANCTUARY BUILDING

JOB NUMBER: #1407
 DRAWN BY: SMH
 SCALE: N.T.S.
 DATE: 9 APRIL 2014

DRAWING:
 TRUSS
 SURVEY



TRUSS #: 1
 TRUSS SIDE: N B

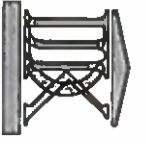
PROJECT:

ZION LUTHERAN CHURCH
 215 ELM AVENUE, RAHWAY, NJ 07065
 TRUSS SURVEY: SANCTUARY BUILDING

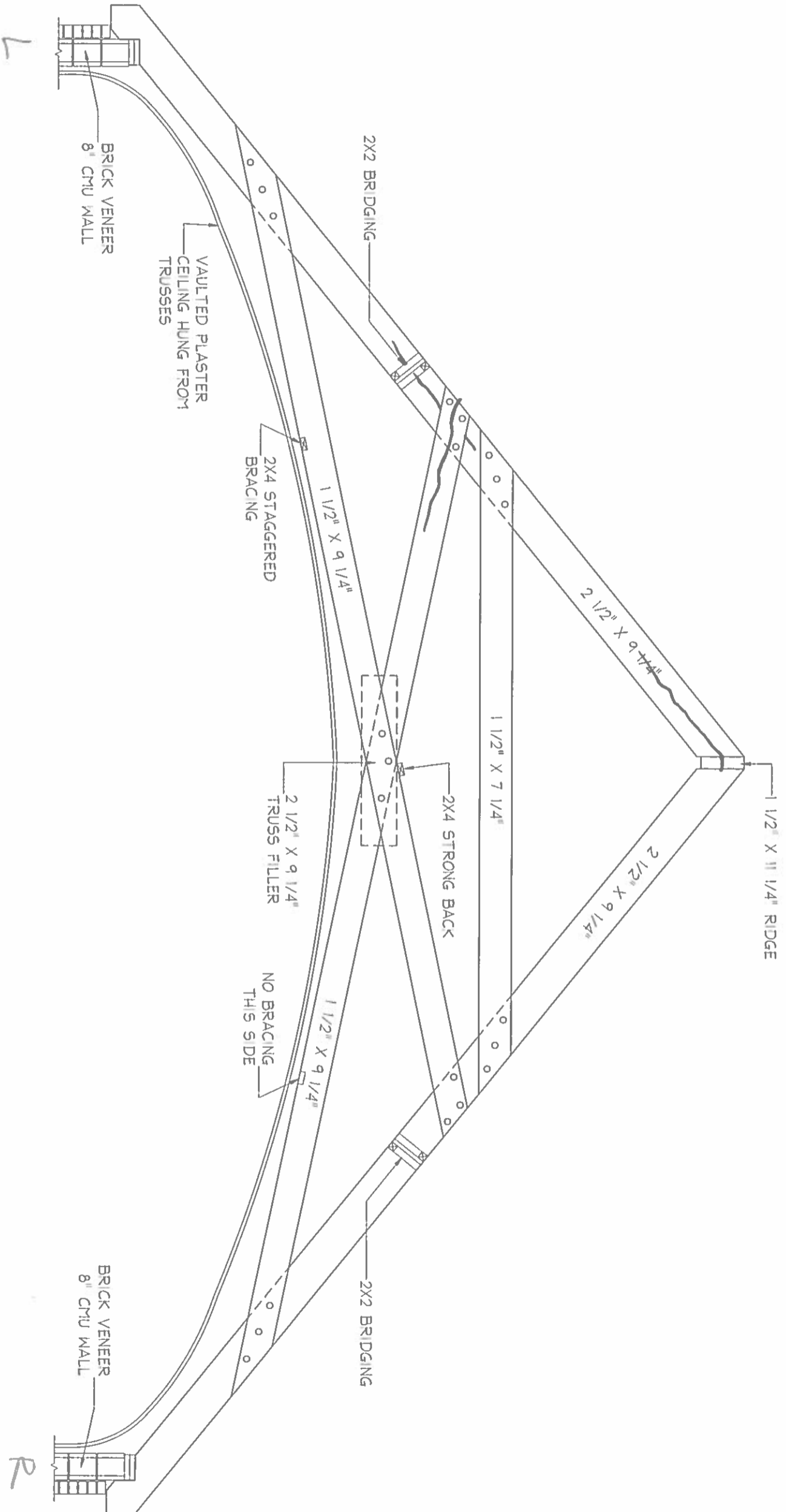
DRAWING:

TRUSS
 SURVEY

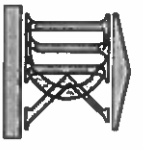
JOB NUMBER: #1407
 DRAWN BY: SMM
 SCALE: N.T.S.
 DATE: 9 APRIL 2014



DENNIS KOWAL ARCHITECTS
 52 West Main Street • Somerville • New Jersey 08876 • Telephone 908-231-0201 • Fax 908-218-7979



TRUSS #: 2
 TRUSS SIDE: S F



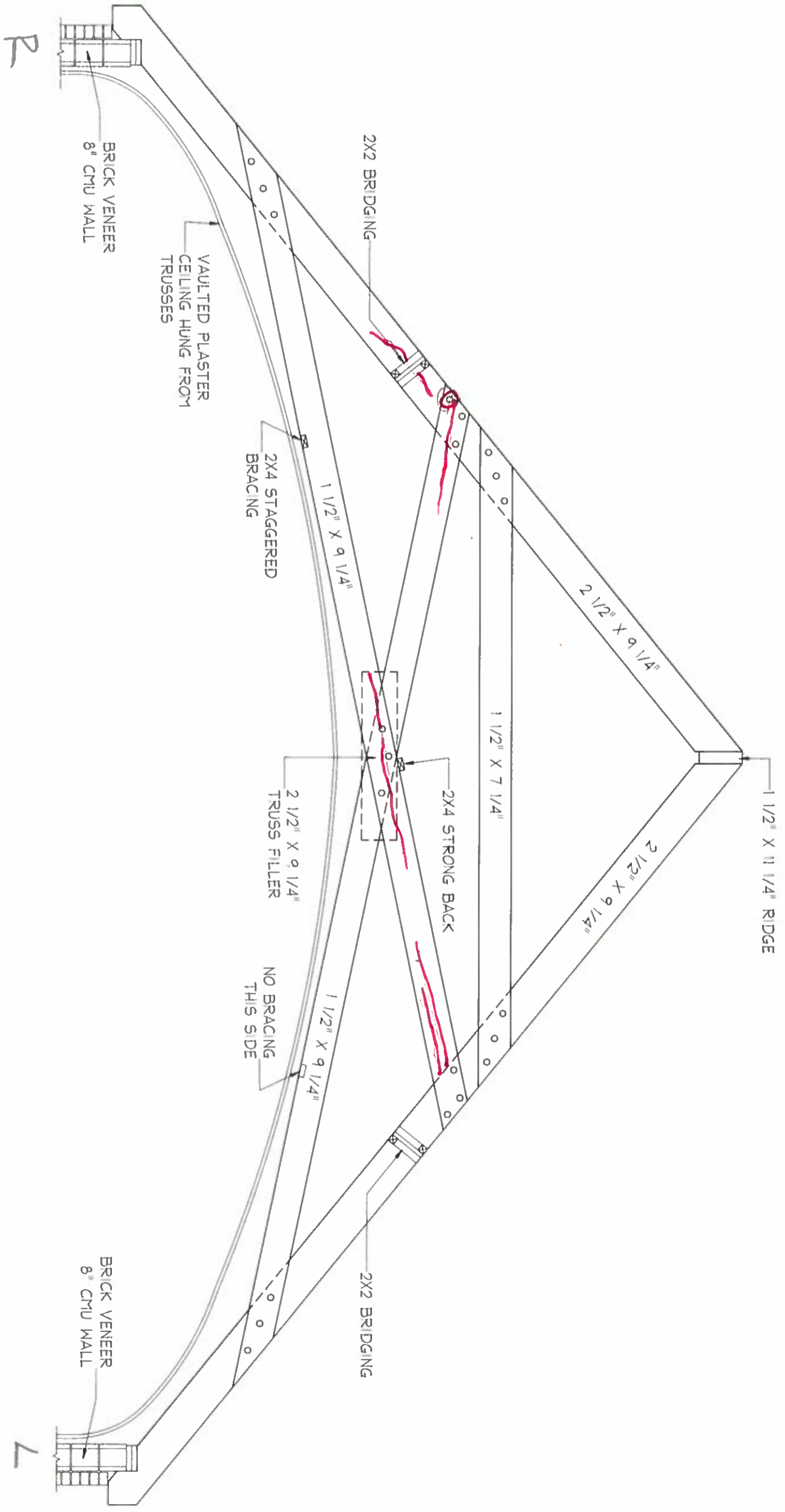
DENNIS KOWAL ARCHITECTS
 52 West Main Street • Somerville • New Jersey 08876 • Telephone 908-231-0201 • Fax 908-218-7979

PROJECT:

ZION LUTHERAN CHURCH
 215 ELM AVENUE, RAHWAY, NJ 07065
 TRUSS SURVEY: SANCTUARY BUILDING

JOB NUMBER: #1407
 DRAWN BY: SMM
 SCALE: N.T.S.
 DATE: 9 APRIL 2014

DRAWING:
 TRUSS
 SURVEY



TRUSS #: 2
 TRUSS SIDE: N B



DENNIS KOWAL ARCHITECTS
 52 West Main Street • Somerville • New Jersey 08876 • Telephone 908-231-0201 • Fax 908-218-7979

PROJECT:

ZION LUTHERAN CHURCH
 215 ELM AVENUE, RAHWAY, NJ 07065
 TRUSS SURVEY: SANCTUARY BUILDING

JOB NUMBER: #1407

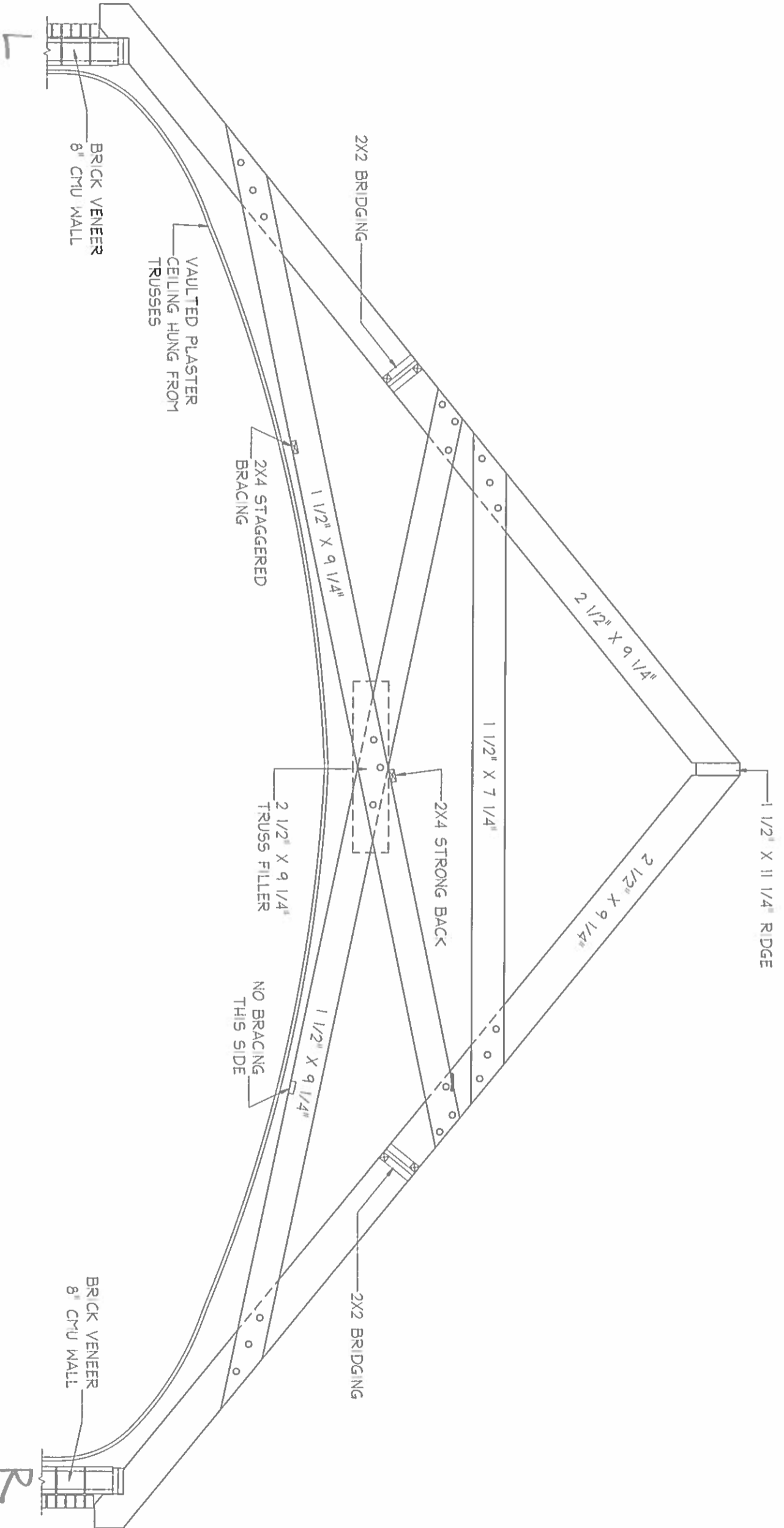
DRAWN BY: SHM

SCALE: N.T.S.

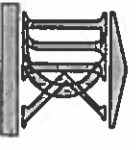
DATE: 9 APRIL 2014

DRAWING:

TRUSS
 SURVEY



TRUSS #: 3
 TRUSS SIDE: SF



DENNIS KOWAL ARCHITECTS
 52 West Main Street • Somerville • New Jersey 08876 • Telephone 908-231-0201 • Fax 908-218-7979

PROJECT:

ZION LUTHERAN CHURCH
 215 ELM AVENUE, RAHWAY, NJ 07065
 TRUSS SURVEY: SANCTUARY BUILDING

JOB NUMBER: #1407

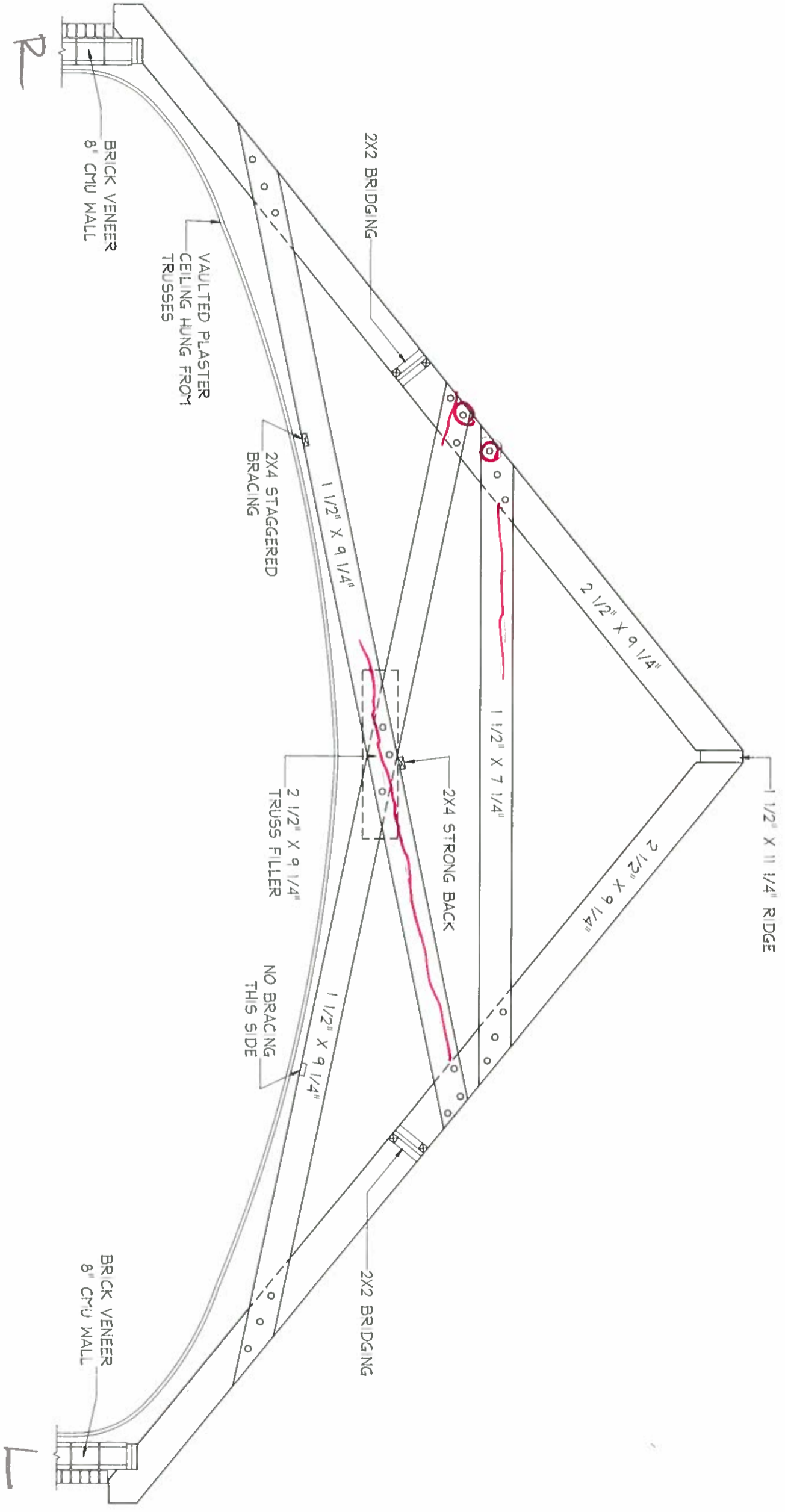
DRAWN BY: SMH

SCALE: N.T.S.

DATE: 9 APRIL 2014

DRAWING:

TRUSS
 SURVEY



TRUSS #: 3
 TRUSS SIDE: NB

PROJECT:

ZION LUTHERAN CHURCH
 215 ELM AVENUE, RAHWAY, NJ 07065
 TRUSS SURVEY: SANCTUARY BUILDING

JOB NUMBER: #1407

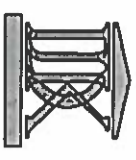
DRAWN BY: SMM

SCALE: N.T.S.

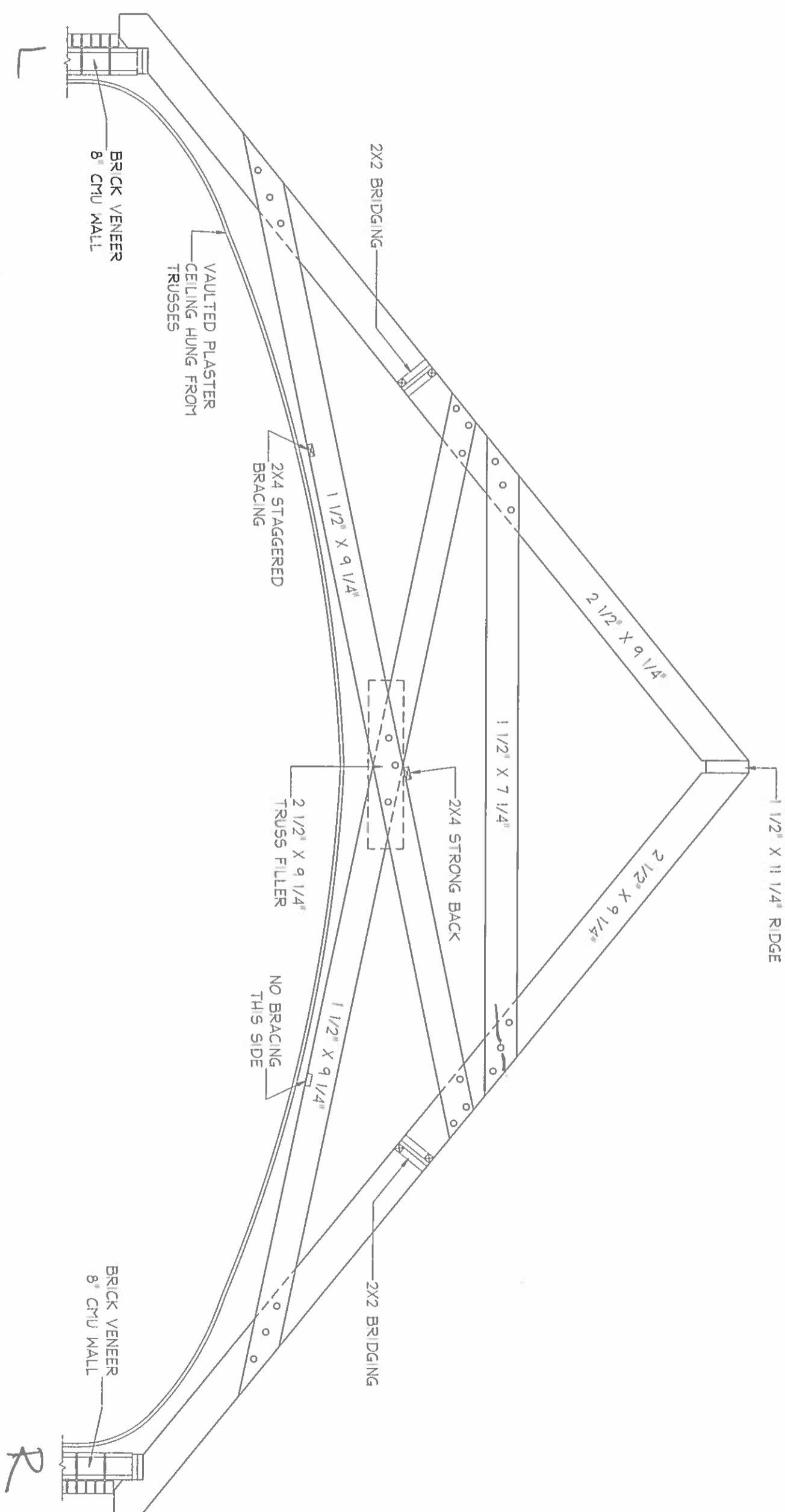
DATE: 9 APRIL 2014

DRAWING:

TRUSS
 SURVEY



DENNIS KOWAL ARCHITECTS
 52 West Main Street • Somerville • New Jersey 08876 • Telephone 908-231-0201 • Fax 908-218-7979



TRUSS #: 4
 TRUSS SIDE: S F



DENNIS KOWAL ARCHITECTS
 52 West Main Street • Somerville • New Jersey 08876 • Telephone 908-231-0201 • Fax 908-218-7979

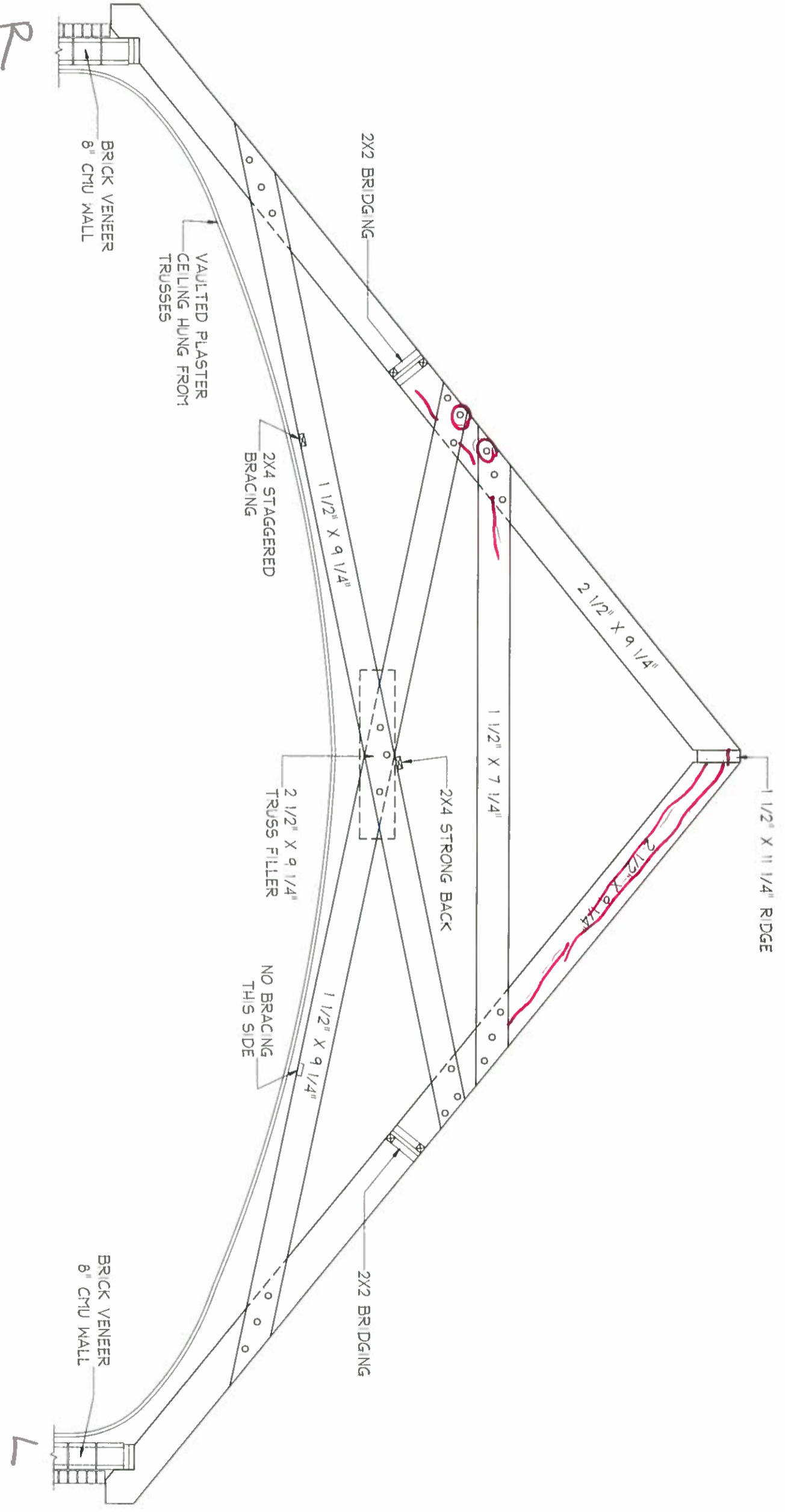
PROJECT:

ZION LUTHERAN CHURCH
 215 ELM AVENUE, RAHWAY, NJ 07065
 TRUSS SURVEY: SANCTUARY BUILDING

JOB NUMBER: #1A07
 DRAWN BY: SMH
 SCALE: N.T.S.
 DATE: 9 APRIL 2014

DRAWING:

TRUSS
 SURVEY



TRUSS #: 4
 TRUSS SIDE: N B



DENNIS KOWAL ARCHITECTS
 52 West Main Street • Somerville • New Jersey 08876 • Telephone 908-231-0201 • Fax 908-218-7979

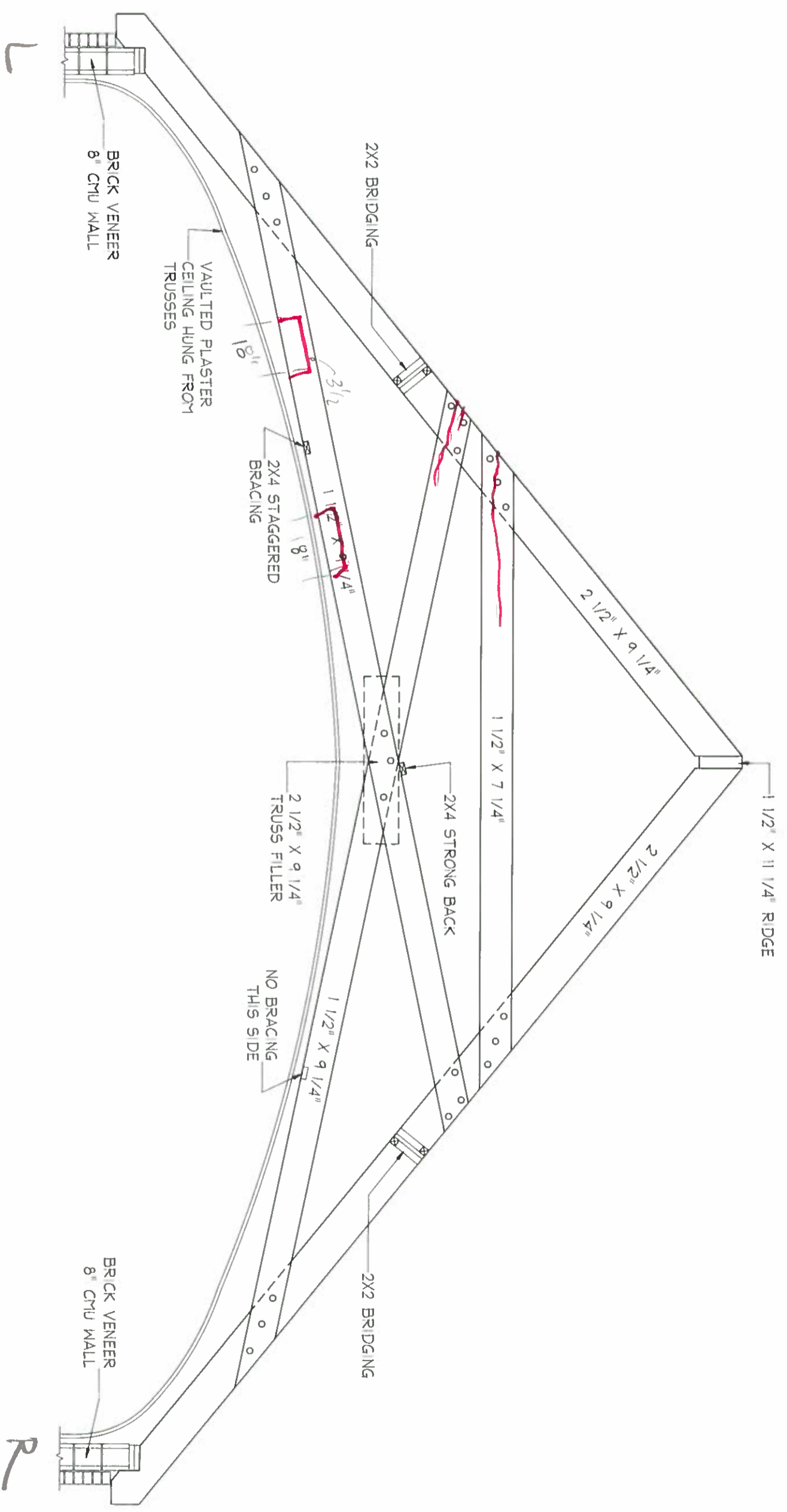
PROJECT:

ZION LUTHERAN CHURCH
 215 ELM AVENUE, RAHWAY, NJ 07065
 TRUSS SURVEY: SANCTUARY BUILDING

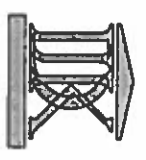
JOB NUMBER: #1407
 DRAWN BY: SMH
 SCALE: N.T.S.
 DATE: 9 APRIL 2014

DRAWING:

TRUSS
 SURVEY



TRUSS #: 5
 TRUSS SIDE: S F



DENNIS KOWAL ARCHITECTS
 52 West Main Street • Somerville • New Jersey 08876 • Telephone 908-231-0201 • Fax 908-218-7979

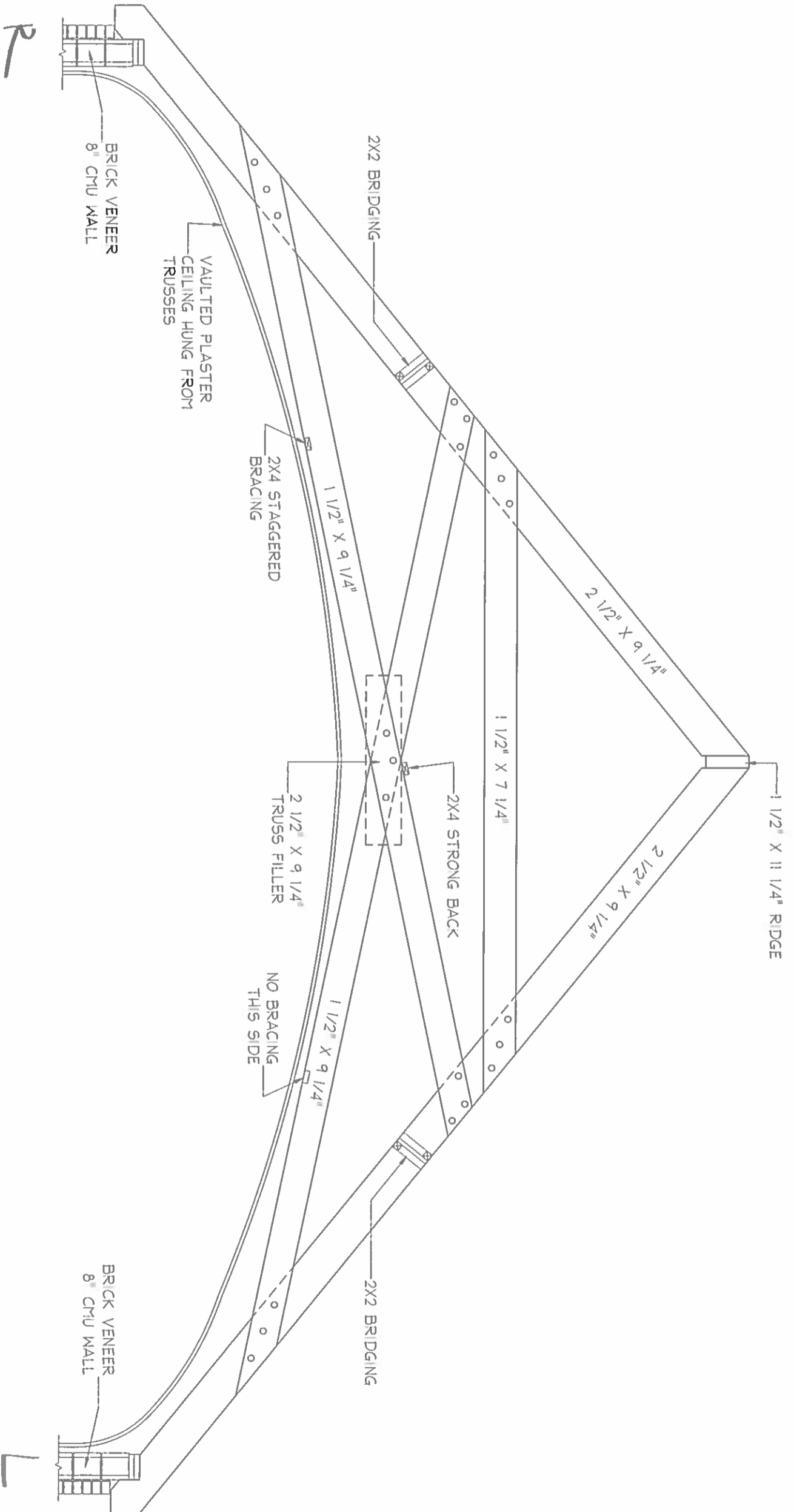
PROJECT:

ZION LUTHERAN CHURCH
 215 ELM AVENUE, RAHWAY, NJ 07065
 TRUSS SURVEY: SANCTUARY BUILDING

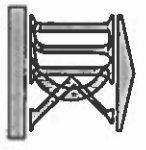
JOB NUMBER: #1407
 DRAWN BY: SMH
 SCALE: N.T.S.
 DATE: 9 APRIL 2014

DRAWING:

TRUSS
 SURVEY



TRUSS #: 5
 TRUSS SIDE: N B



DENNIS KOWAL ARCHITECTS
 52 West Main Street • Somerville • New Jersey 08876 • Telephone 908-231-0201 • Fax 908-218-7979

PROJECT:

ZION LUTHERAN CHURCH
 215 ELM AVENUE, RAHWAY, NJ 07065
 TRUSS SURVEY: SANCTUARY BUILDING

JOB NUMBER: #1407

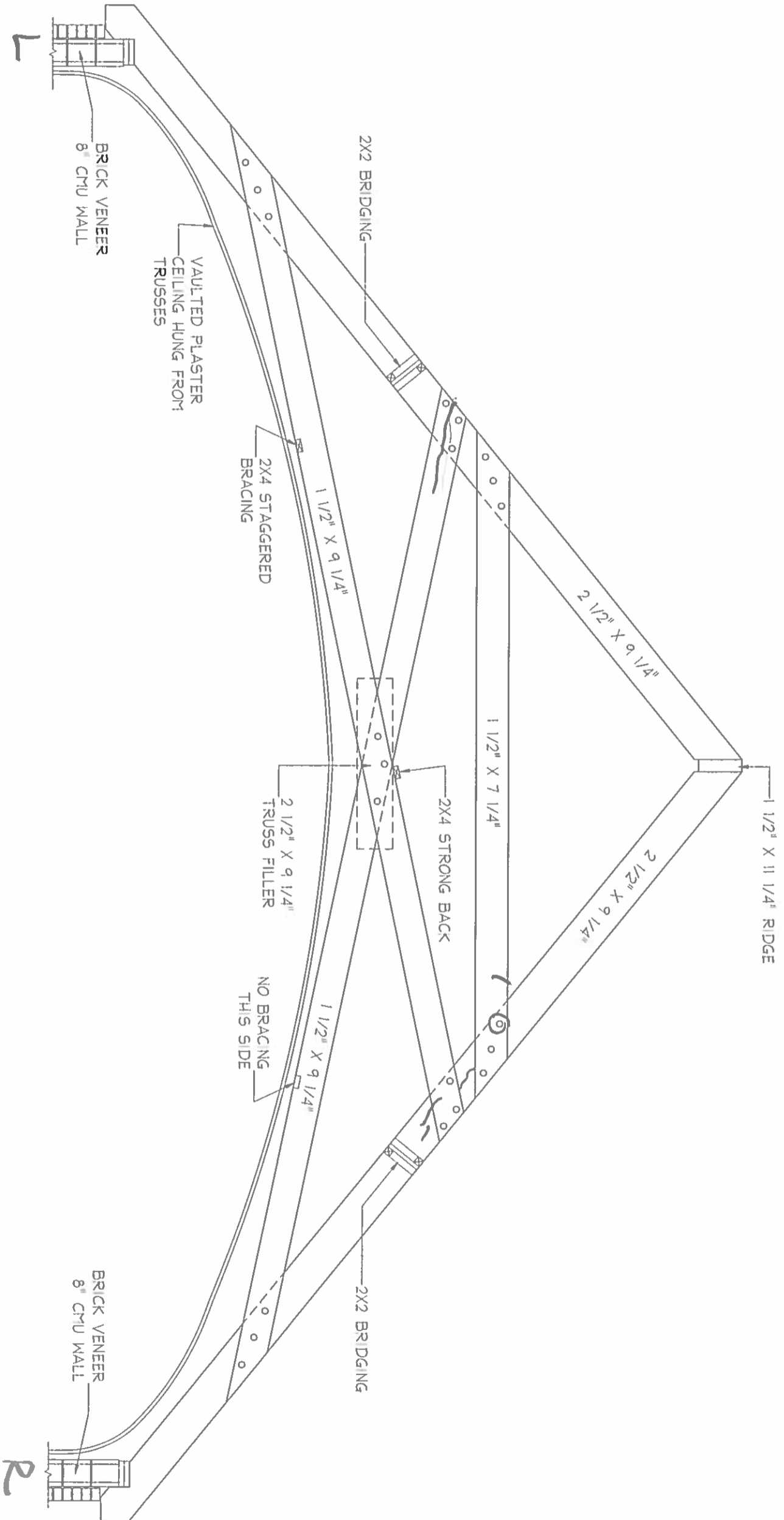
DRAWN BY: SMH

SCALE: N.T.S.

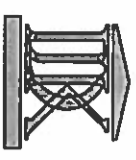
DATE: 9 APRIL 2014

DRAWING:

TRUSS
 SURVEY



TRUSS #: 6
 TRUSS SIDE: S F



DENNIS KOWAL ARCHITECTS
 52 West Main Street • Somerville • New Jersey 08876 • Telephone 908-231-0201 • Fax 908-218-7979

PROJECT:

ZION LUTHERAN CHURCH
 215 ELM AVENUE, RAHWAY, NJ 07065
 TRUSS SURVEY: SANCTUARY BUILDING

JOB NUMBER: #1407

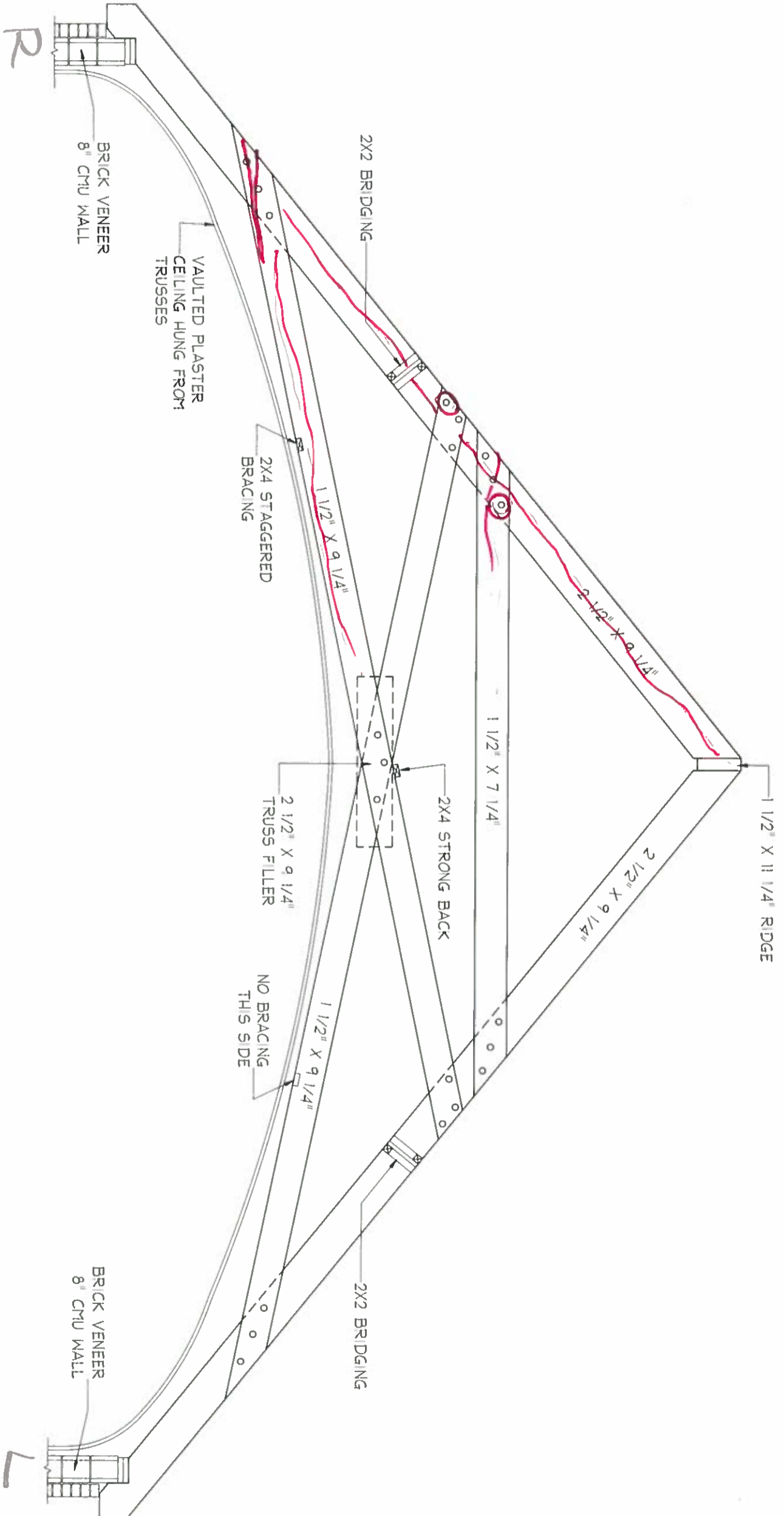
DRAWN BY: SMM

SCALE: N.T.S.

DATE: 9 APRIL 2014

DRAWING:

TRUSS
 SURVEY



TRUSS #: 6
 TRUSS SIDE: N B

PROJECT:

ZION LUTHERAN CHURCH
 215 ELM AVENUE, RAHWAY, NJ 07065
 TRUSS SURVEY: SANCTUARY BUILDING

JOB NUMBER: #1407

DRAWN BY: SMM

SCALE: N.T.S.

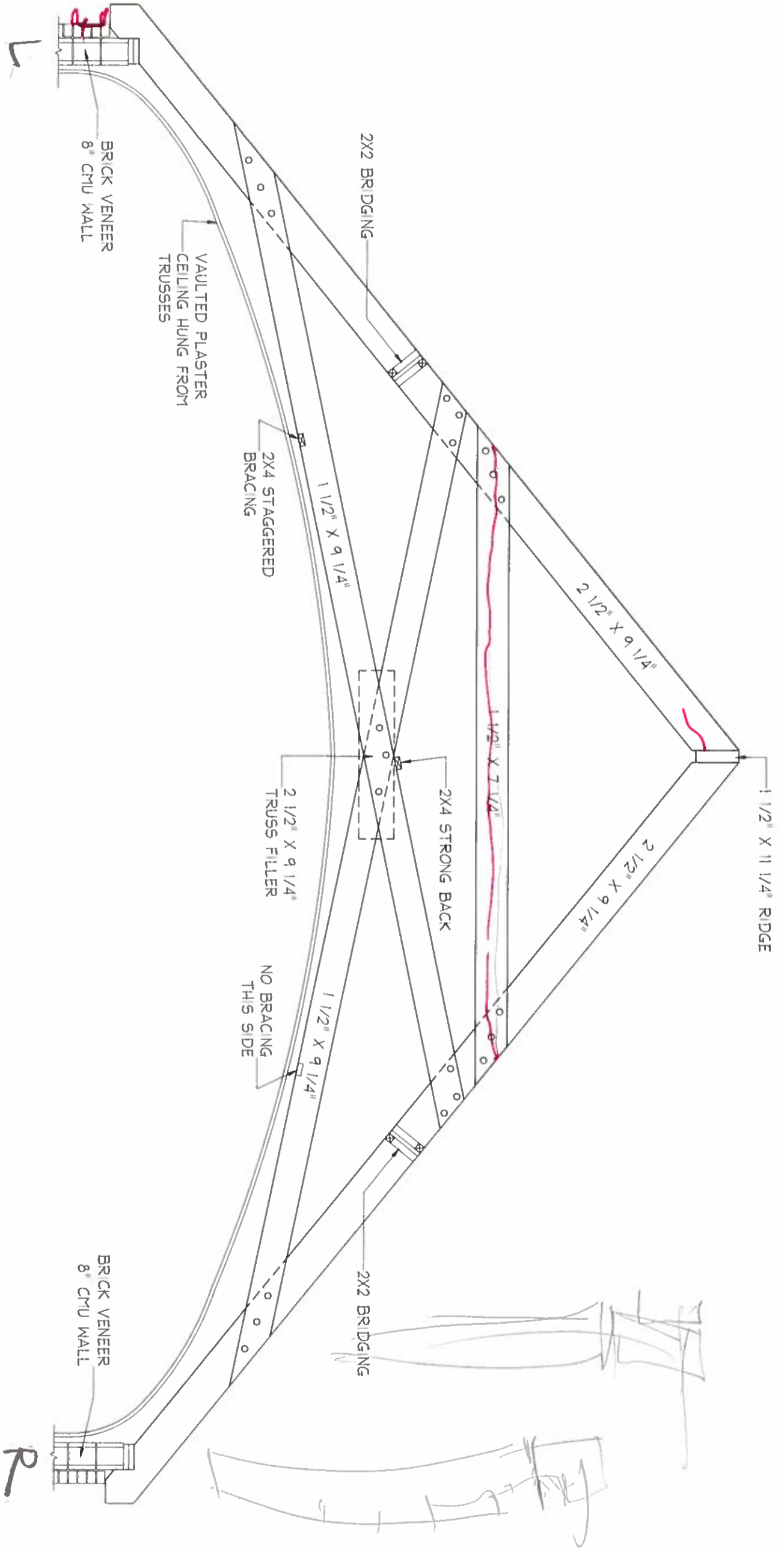
DATE: 9 APRIL 2014

DRAWING:

TRUSS
 SURVEY



DENNIS KOWAL ARCHITECTS
 52 West Main Street • Somerville • New Jersey 08876 • Telephone 908-231-0201 • Fax 908-218-7979



TRUSS #: 7
 TRUSS SIDE: S F



DENNIS KOWAL ARCHITECTS
 52 West Main Street • Somerville • New Jersey 08876 • Telephone 908-231-0201 • Fax 908-218-7979

PROJECT:

ZION LUTHERAN CHURCH
 215 ELM AVENUE, RAHWAY, NJ 07065
 TRUSS SURVEY: SANCTUARY BUILDING

JOB NUMBER: #1407

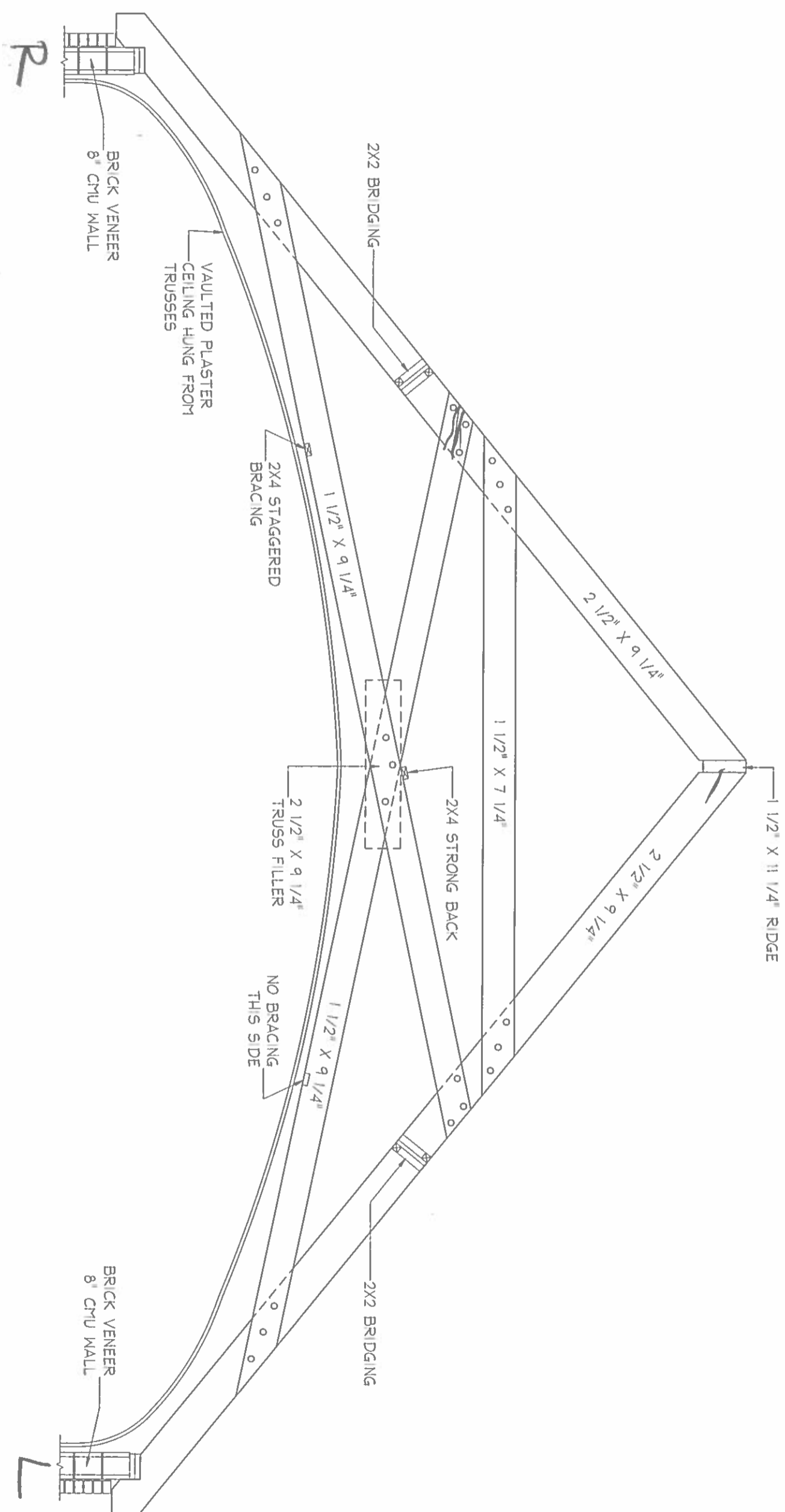
DRAWN BY: SMH

SCALE: N.T.S.

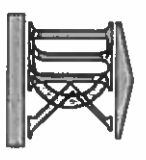
DATE: 9 APRIL 2014

DRAWING:

TRUSS
 SURVEY



TRUSS #: 7
 TRUSS SIDE: N B



DENNIS KOWAL ARCHITECTS
 52 West Main Street • Somerville • New Jersey 08876 • Telephone 908-231-0201 • Fax 908-218-7979

PROJECT:

ZION LUTHERAN CHURCH
 215 ELM AVENUE, RAHWAY, NJ 07065
 TRUSS SURVEY: SANCTUARY BUILDING

JOB NUMBER: #1407

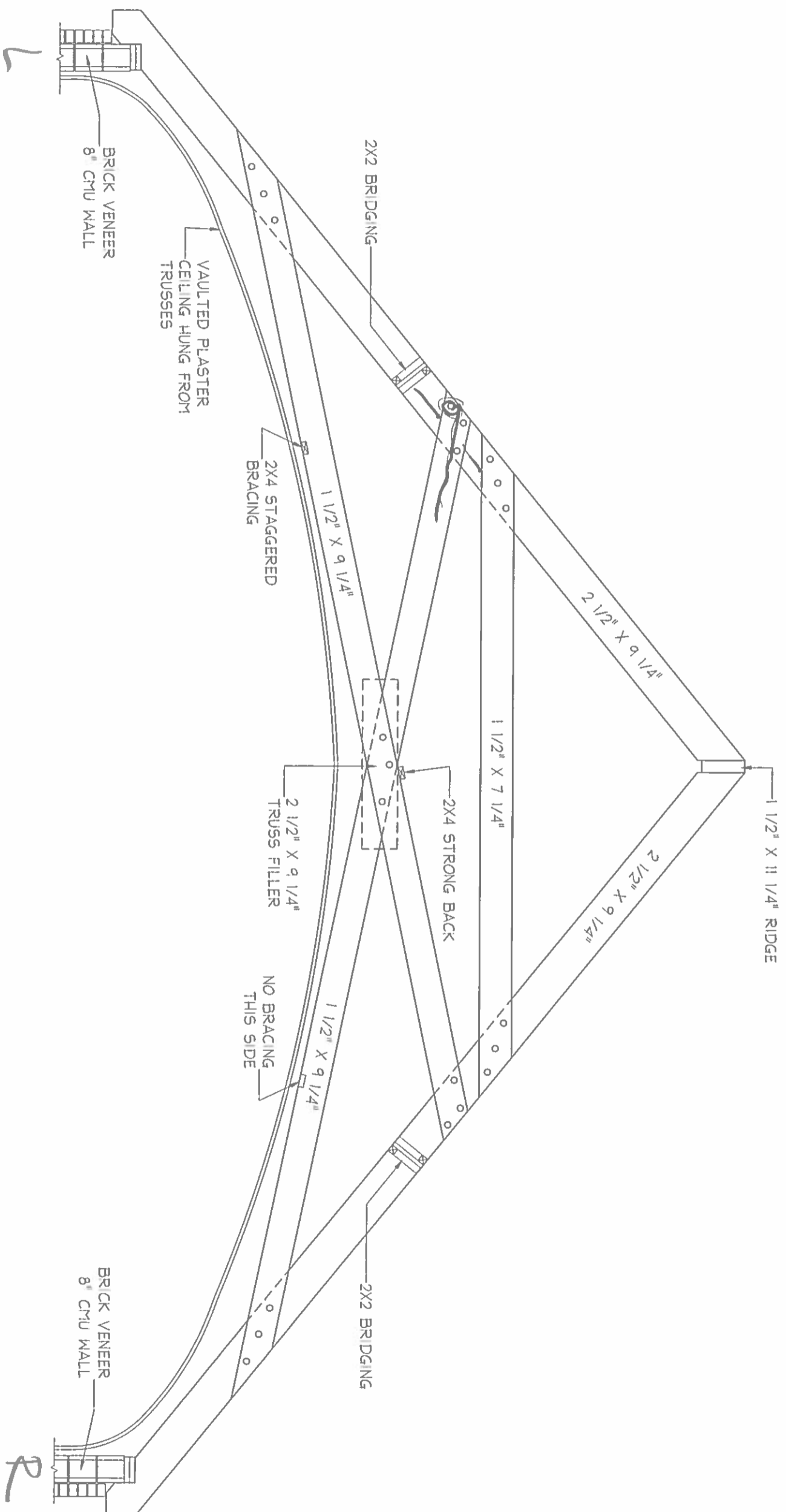
DRAWN BY: SMH

SCALE: N.T.S.

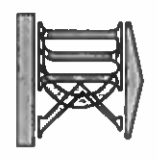
DATE: 9 APRIL 2014

DRAWING:

TRUSS
 SURVEY



TRUSS #: 8
 TRUSS SIDE: S F



DENNIS KOWAL ARCHITECTS
 52 West Main Street • Somerville • New Jersey 08876 • Telephone 908-231-0201 • Fax 908-218-7979

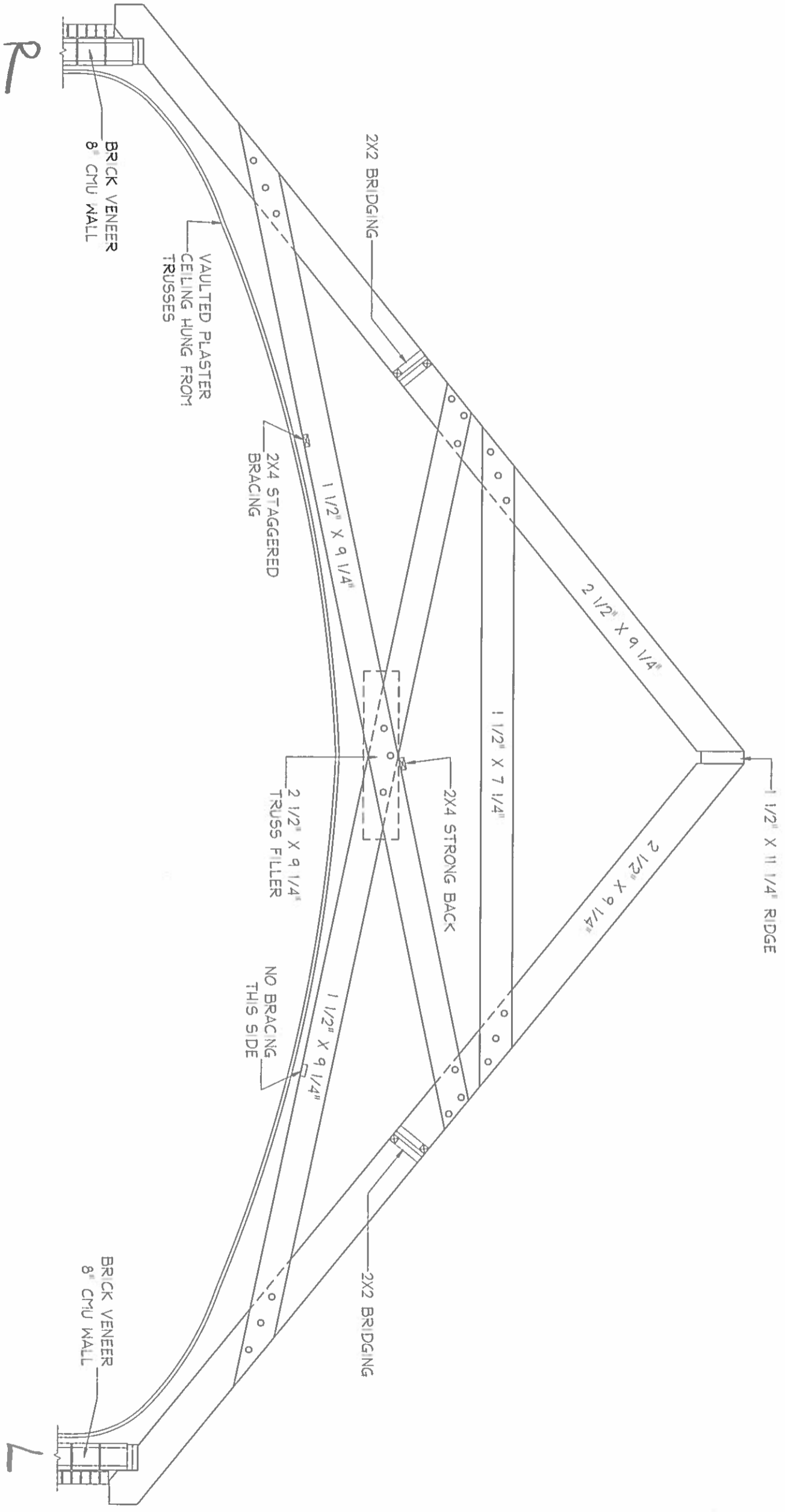
PROJECT:

ZION LUTHERAN CHURCH
 215 ELM AVENUE, RAHWAY, NJ 07065
 TRUSS SURVEY: SANCTUARY BUILDING

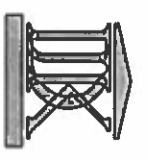
JOB NUMBER: #1407
 DRAWN BY: SPM
 SCALE: N.T.S.
 DATE: 9 APRIL 2014

DRAWING:

TRUSS
 SURVEY



TRUSS #: 8
 TRUSS SIDE: NB



DENNIS KOWAL ARCHITECTS
 52 West Main Street • Somerville • New Jersey 08876 • Telephone 908-231-0201 • Fax 908-218-7979

PROJECT:

ZION LUTHERAN CHURCH
 215 ELM AVENUE, RAHWAY, NJ 07065
 TRUSS SURVEY: SANCTUARY BUILDING

JOB NUMBER: #1407

DRAWN BY: SHM

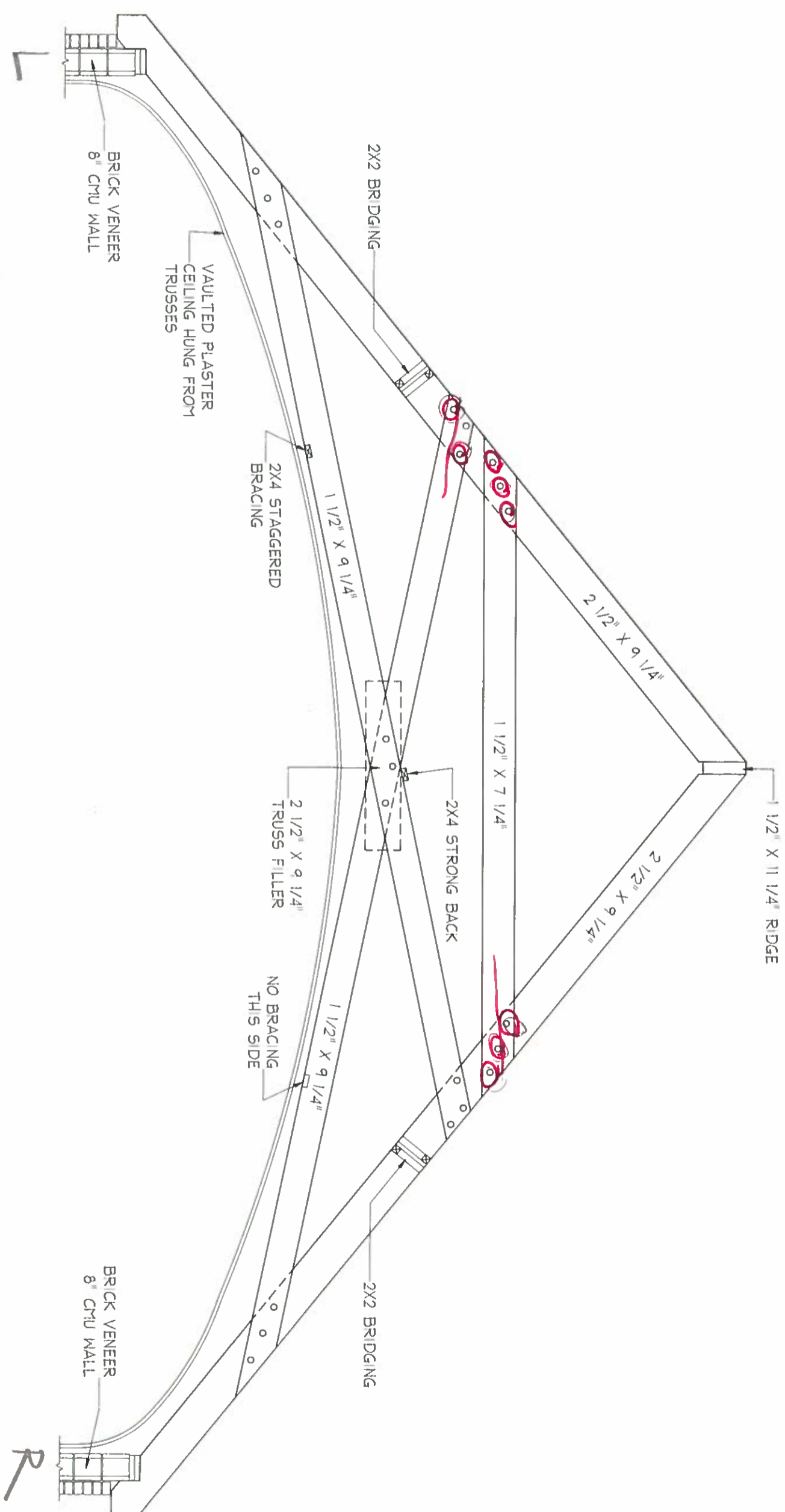
SCALE: N.T.S.

DATE: 9 APRIL 2014

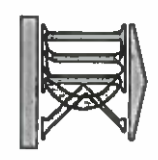
DRAWING:

TRUSS
 SURVEY





TRUSS #: 9
 TRUSS SIDE: S F



DENNIS KOWAL ARCHITECTS
 52 West Main Street • Somerville • New Jersey 08876 • Telephone 908-231-0201 • Fax 908-218-7979

PROJECT:

ZION LUTHERAN CHURCH
 215 ELM AVENUE, RAHWAY, NJ 07065
 TRUSS SURVEY: SANCTUARY BUILDING

JOB NUMBER: #1407

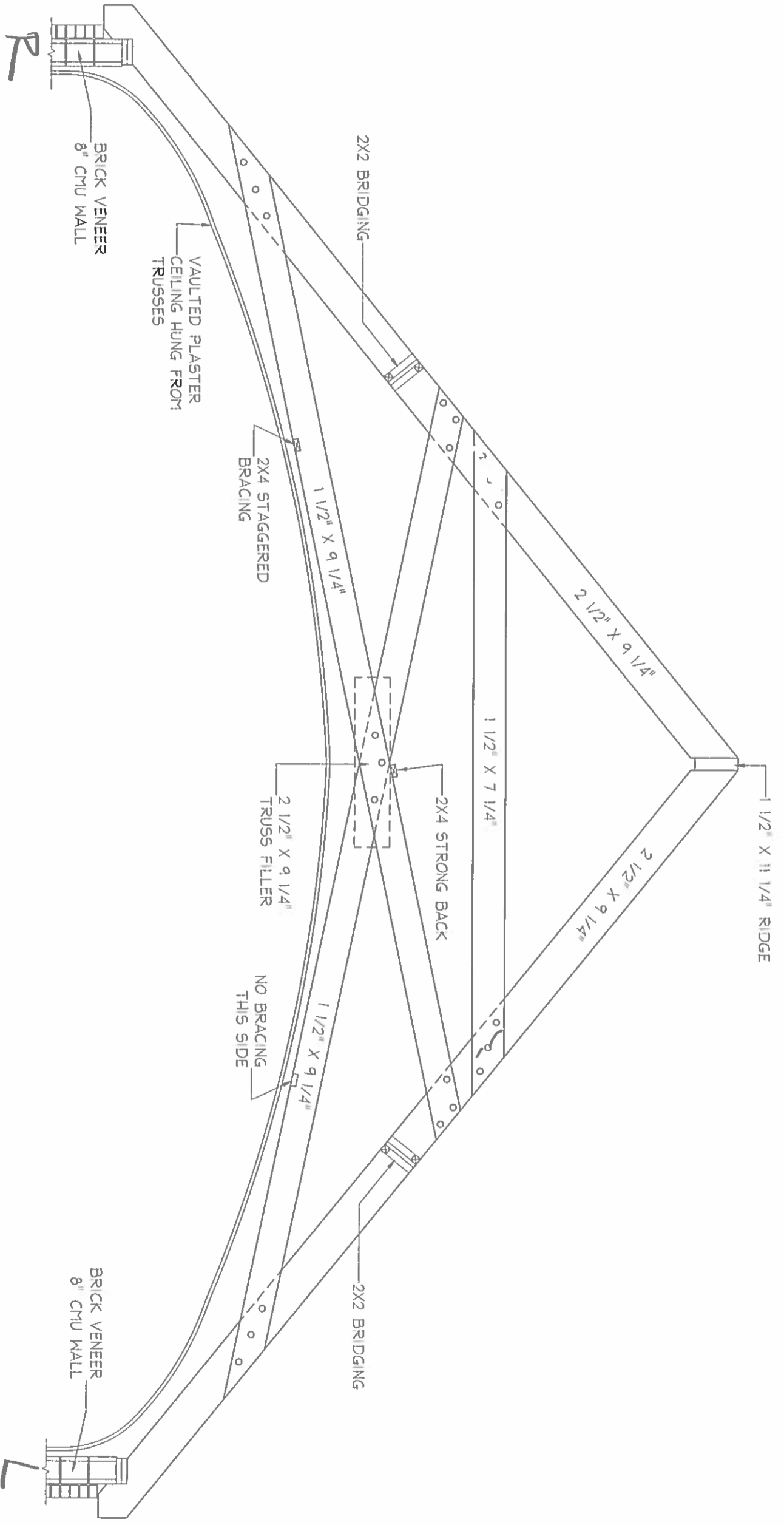
DRAWN BY: SMH

SCALE: N.T.S.
 DATE: 9 APRIL 2014

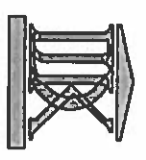
DRAWING:

TRUSS
 SURVEY





TRUSS #: 9
 TRUSS SIDE: N B



DENNIS KOWAL ARCHITECTS
 52 West Main Street • Somerville • New Jersey 08876 • Telephone 908-231-0201 • Fax 908-218-7979

PROJECT:

ZION LUTHERAN CHURCH
 215 ELM AVENUE, RAHWAY, NJ 07065
 TRUSS SURVEY: SANCTUARY BUILDING

JOB NUMBER: #1407

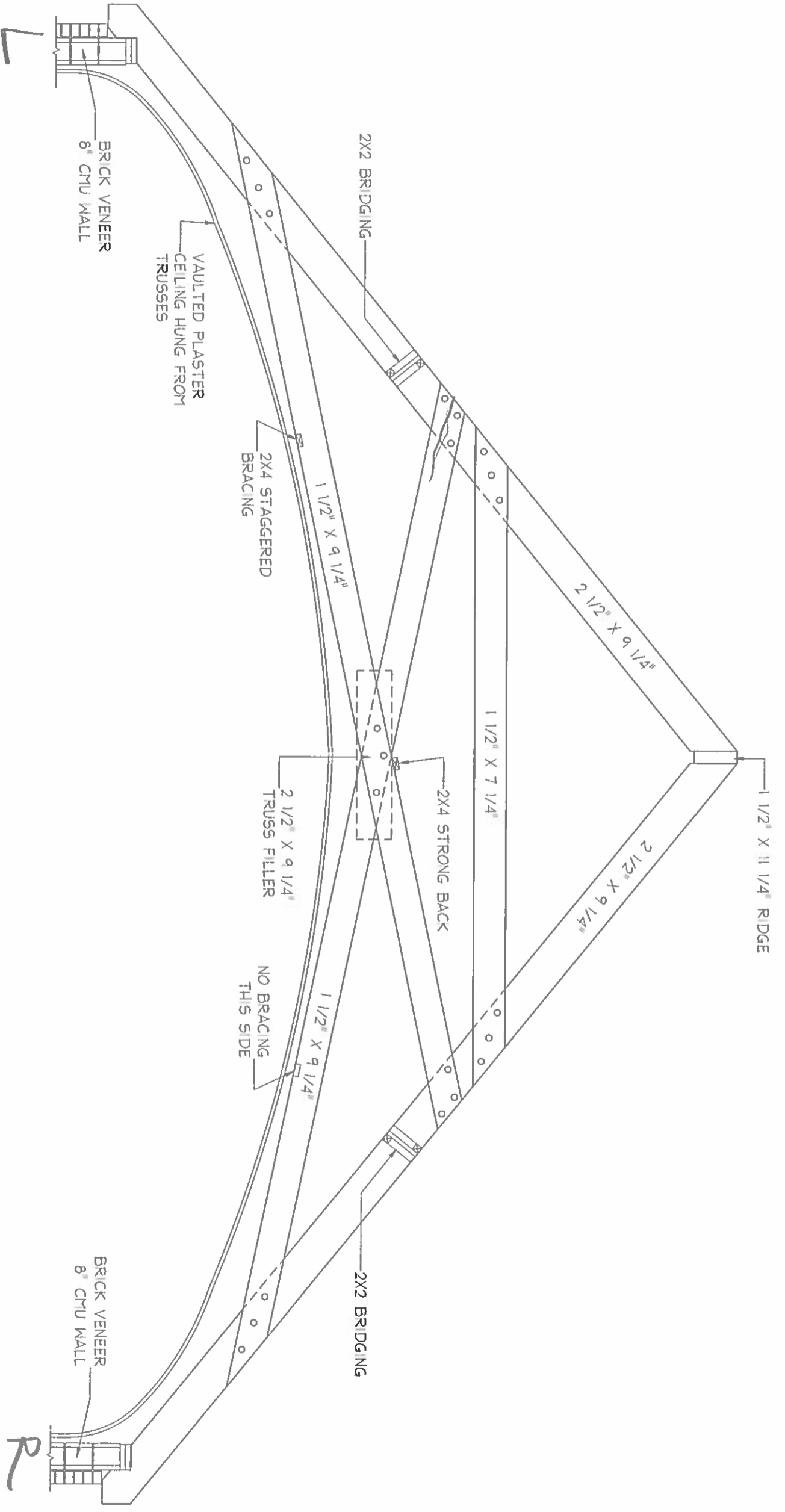
DRAWN BY: SMH

SCALE: N.T.S.

DATE: 9 APRIL 2014

DRAWING:

TRUSS
 SURVEY



TRUSS #: 10
 TRUSS SIDE: S F



DENNIS KOWAL ARCHITECTS
 52 West Main Street • Somerville • New Jersey 08876 • Telephone 908-231-0201 • Fax 908-218-7979

PROJECT:

ZION LUTHERAN CHURCH
 215 ELM AVENUE, RAHWAY, NJ 07065
 TRUSS SURVEY: SANCTUARY BUILDING

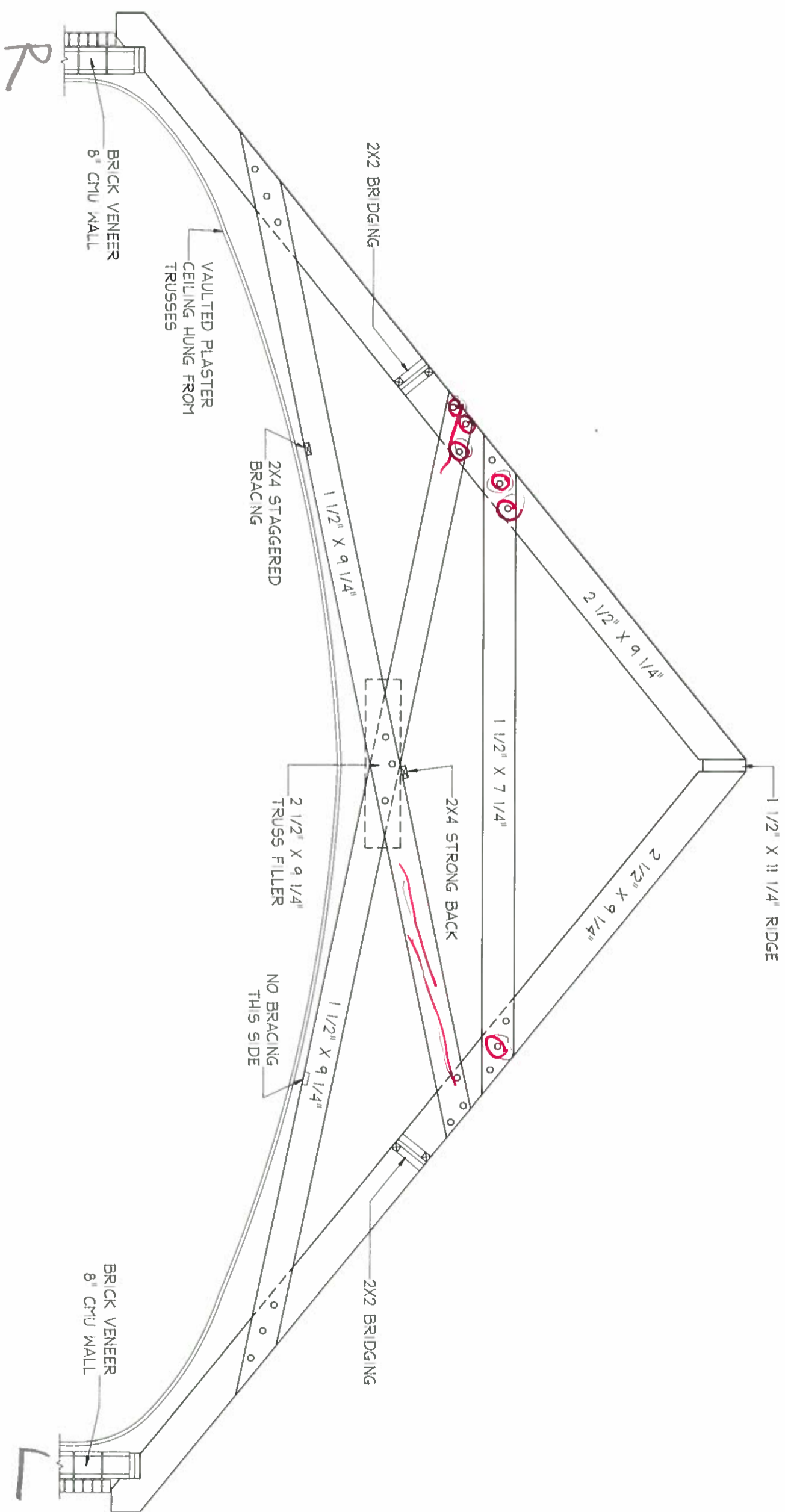
JOB NUMBER: #1407

DRAWN BY: SMH

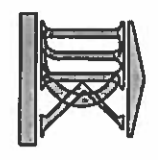
SCALE: N.T.S.
DATE: 9 APRIL 2014

DRAWING:

TRUSS
 SURVEY



TRUSS #: 10
 TRUSS SIDE: NB



DENNIS KOWAL ARCHITECTS
 52 West Main Street • Somerville • New Jersey 08876 • Telephone 908-231-0201 • Fax 908-218-7979

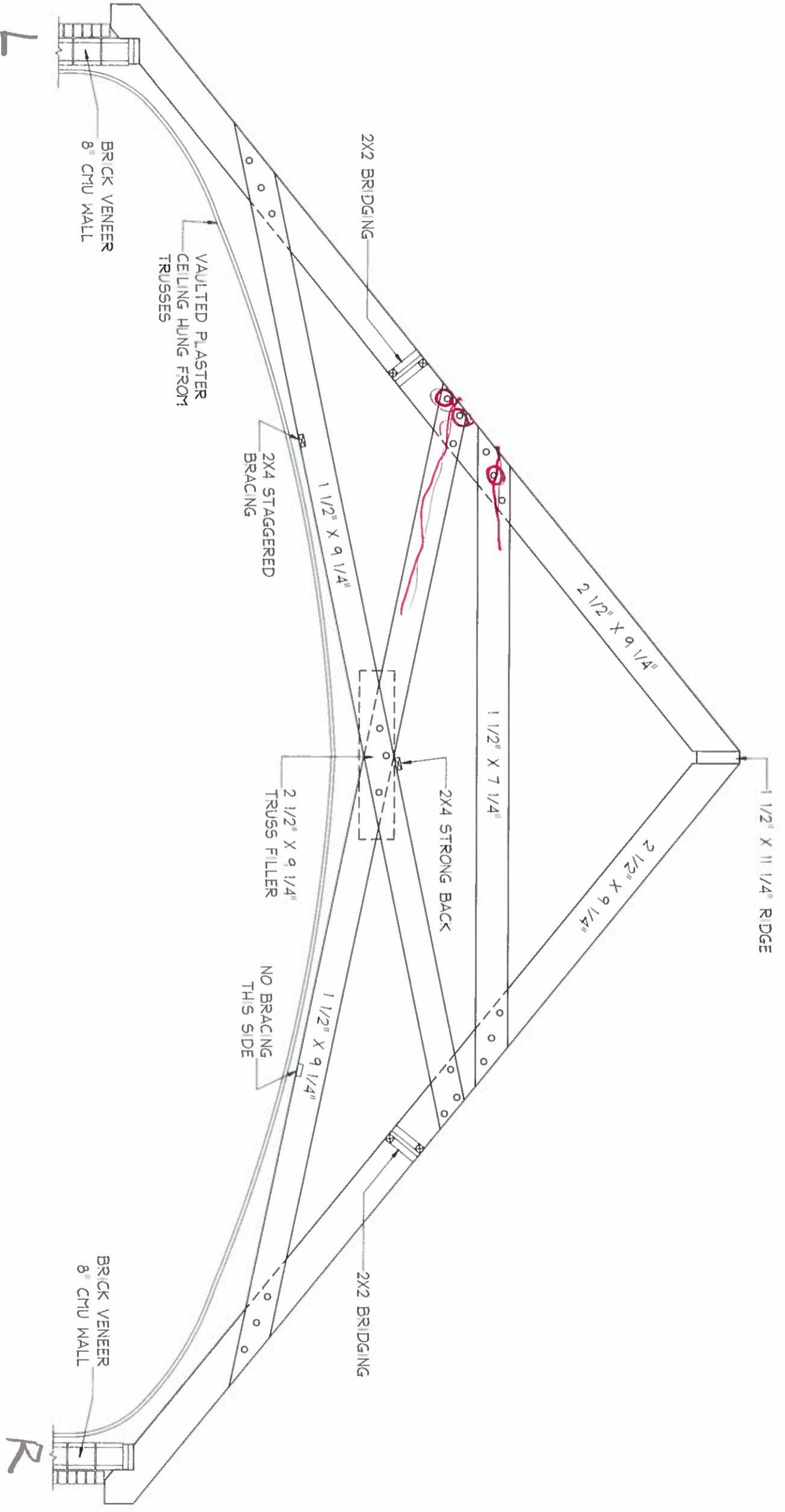
PROJECT:

ZION LUTHERAN CHURCH
 215 ELM AVENUE, RAHWAY, NJ 07065
 TRUSS SURVEY: SANCTUARY BUILDING

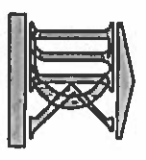
JOB NUMBER: #1407
 DRAWN BY: SMH
 SCALE: N.T.S.
 DATE: 9 APRIL 2014

DRAWING:

TRUSS
 SURVEY



TRUSS #: 11
 TRUSS SIDE: S F



DENNIS KOWAL ARCHITECTS
 52 West Main Street • Somerville • New Jersey 08876 • Telephone 908-231-0201 • Fax 908-218-7979

PROJECT:

ZION LUTHERAN CHURCH
 215 ELM AVENUE, RAHWAY, NJ 07065
 TRUSS SURVEY: SANCTUARY BUILDING

JOB NUMBER: #1407

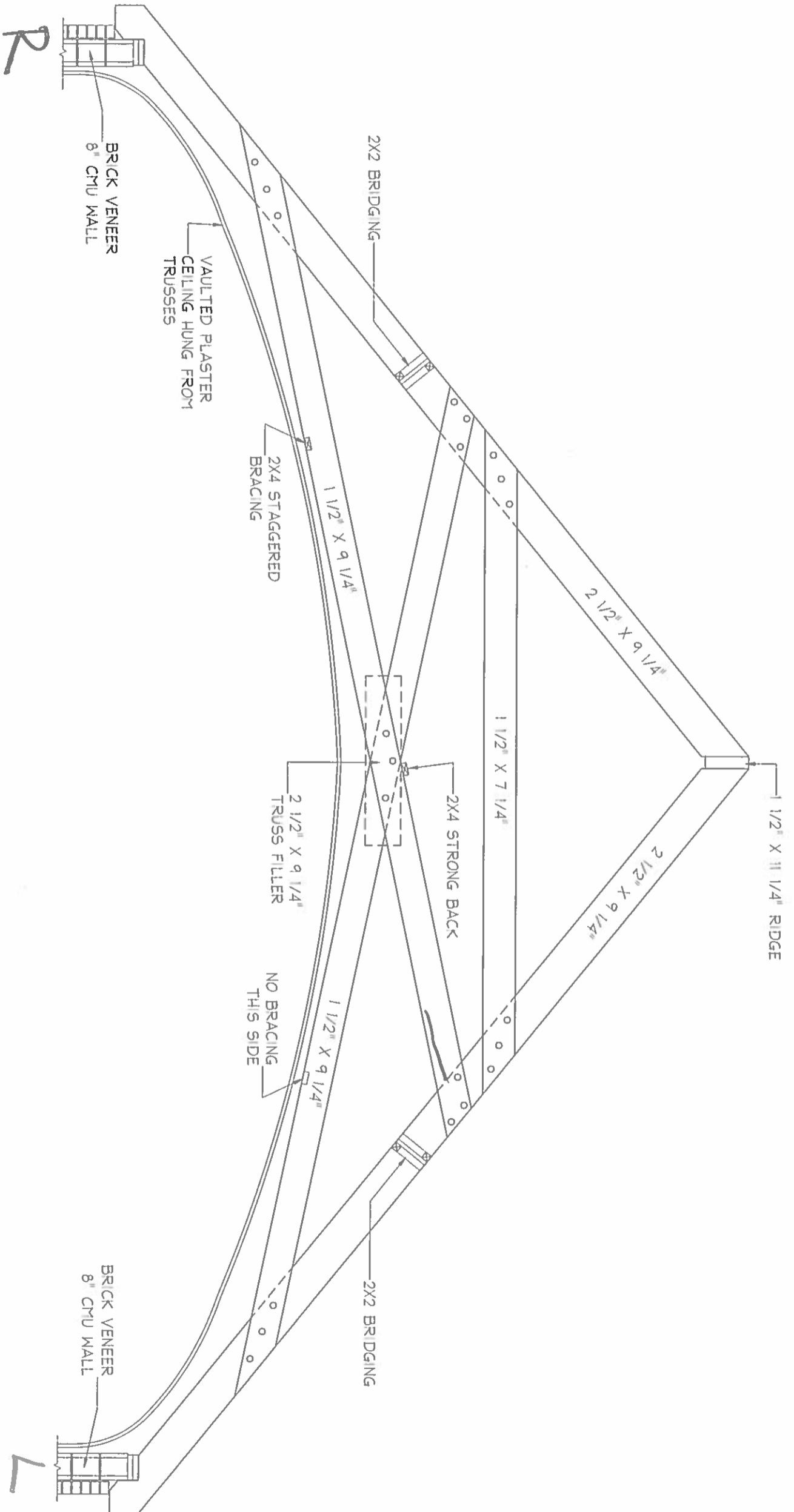
DRAWN BY: SMH

SCALE: N.T.S.

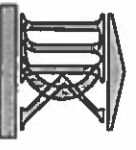
DATE: 9 APRIL 2014

DRAWING:

TRUSS
 SURVEY



TRUSS #: 11
 TRUSS SIDE: N B



DENNIS KOWAL ARCHITECTS
 52 West Main Street • Somerville • New Jersey 08876 • Telephone 908-231-0201 • Fax 908-218-7979

PROJECT:

ZION LUTHERAN CHURCH
 215 ELM AVENUE, RAHWAY, NJ 07065
 TRUSS SURVEY: SANCTUARY BUILDING

JOB NUMBER: #1407

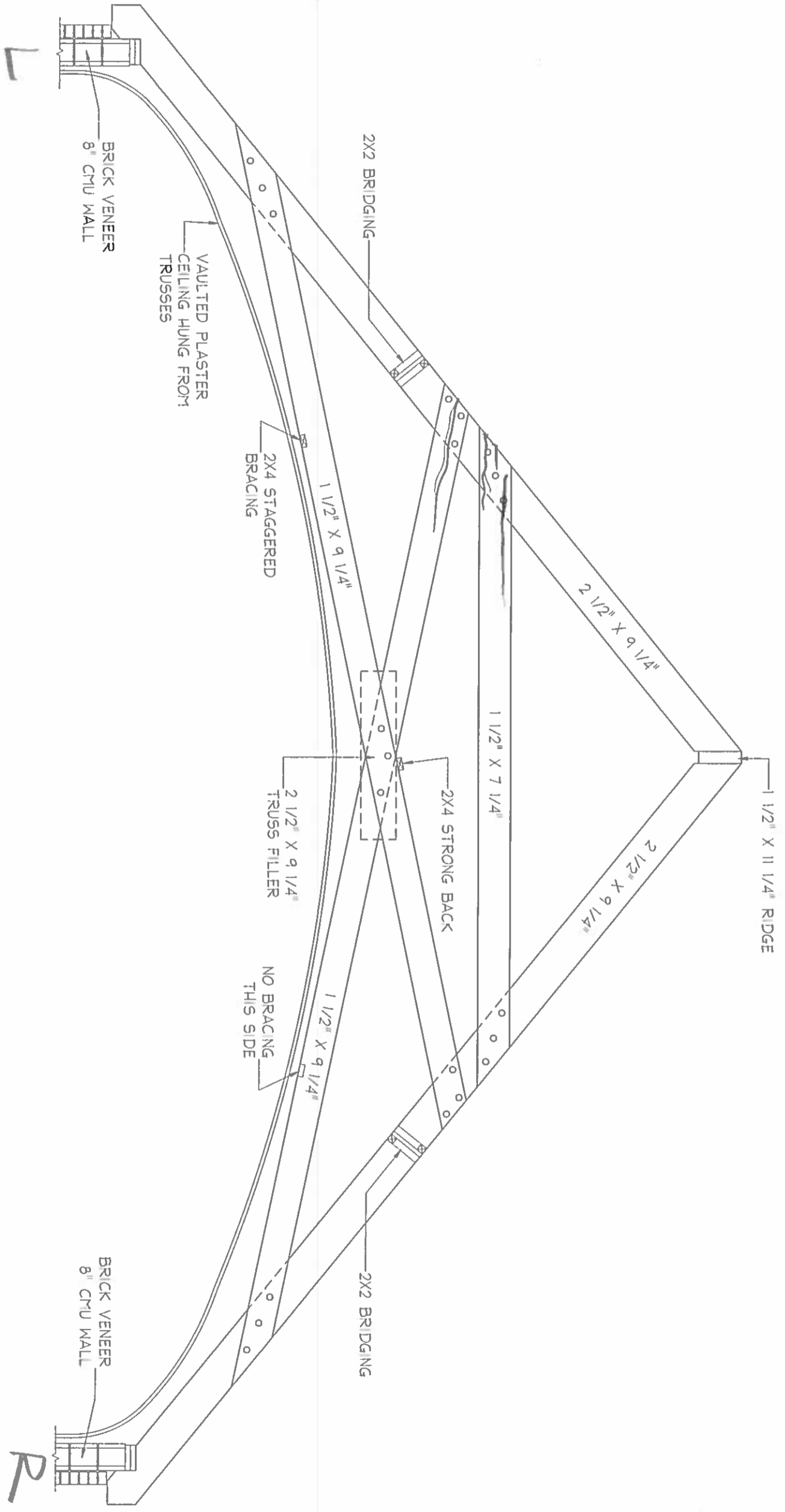
DRAWN BY: SMM

SCALE: N.T.S.

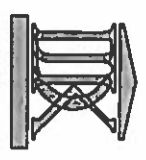
DATE: 9 APRIL 2014

DRAWING:

TRUSS
 SURVEY



TRUSS #: 13
 TRUSS SIDE: SIDE



DENNIS KOWAL ARCHITECTS
 52 West Main Street • Somerville • New Jersey 08876 • Telephone 908-231-0201 • Fax 908-218-7979

PROJECT:

ZION LUTHERAN CHURCH
 215 ELM AVENUE, RAHWAY, NJ 07065
 TRUSS SURVEY: SANCTUARY BUILDING

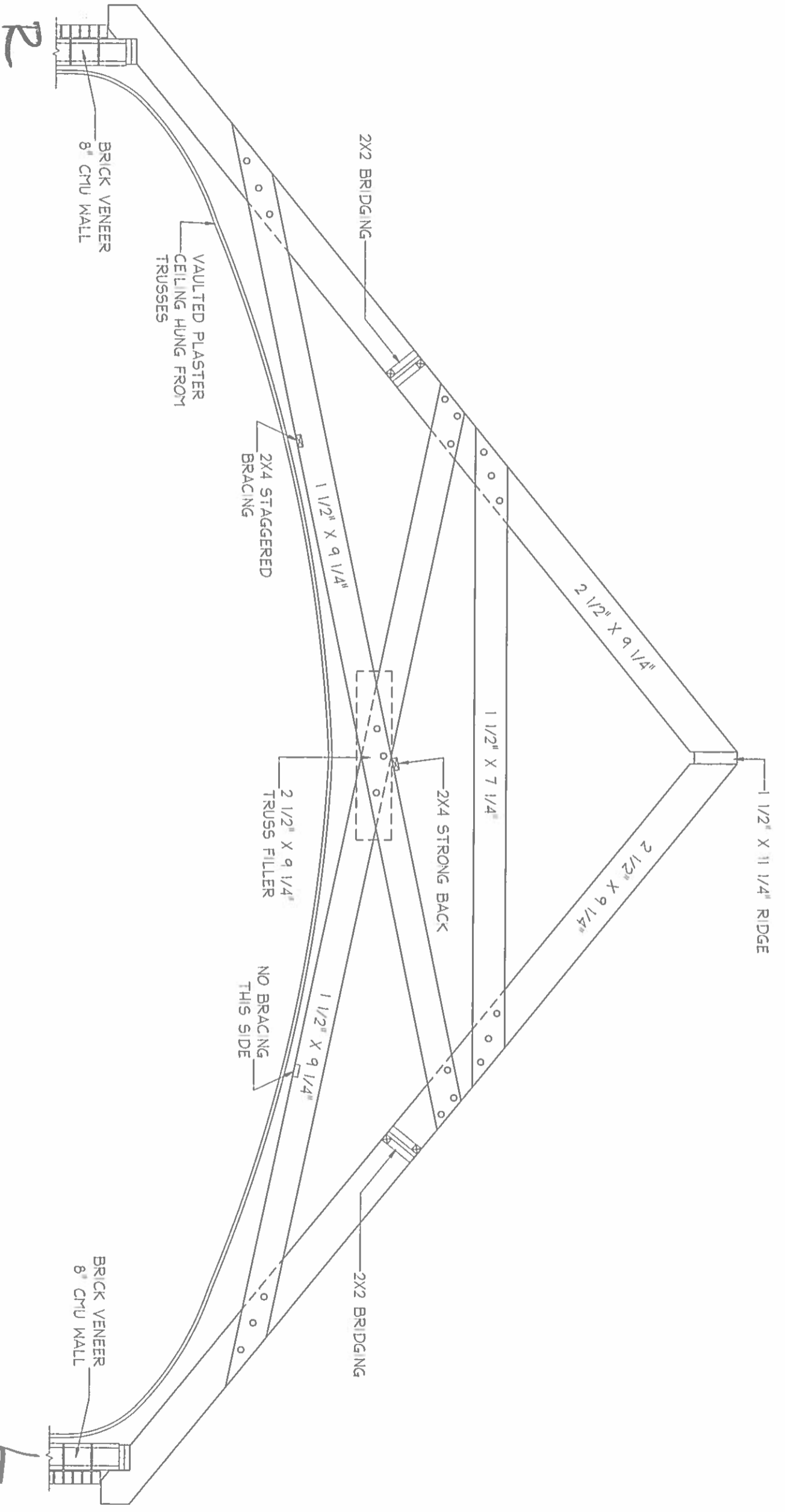
JOB NUMBER: #1407

DRAWN BY: SMH

SCALE: N.T.S.
 DATE: 9 APRIL 2014

DRAWING:

TRUSS
 SURVEY



TRUSS #: 13
 TRUSS SIDE: N B

PROJECT:

ZION LUTHERAN CHURCH
 215 ELM AVENUE, RAHWAY, NJ 07065
 TRUSS SURVEY: SANCTUARY BUILDING

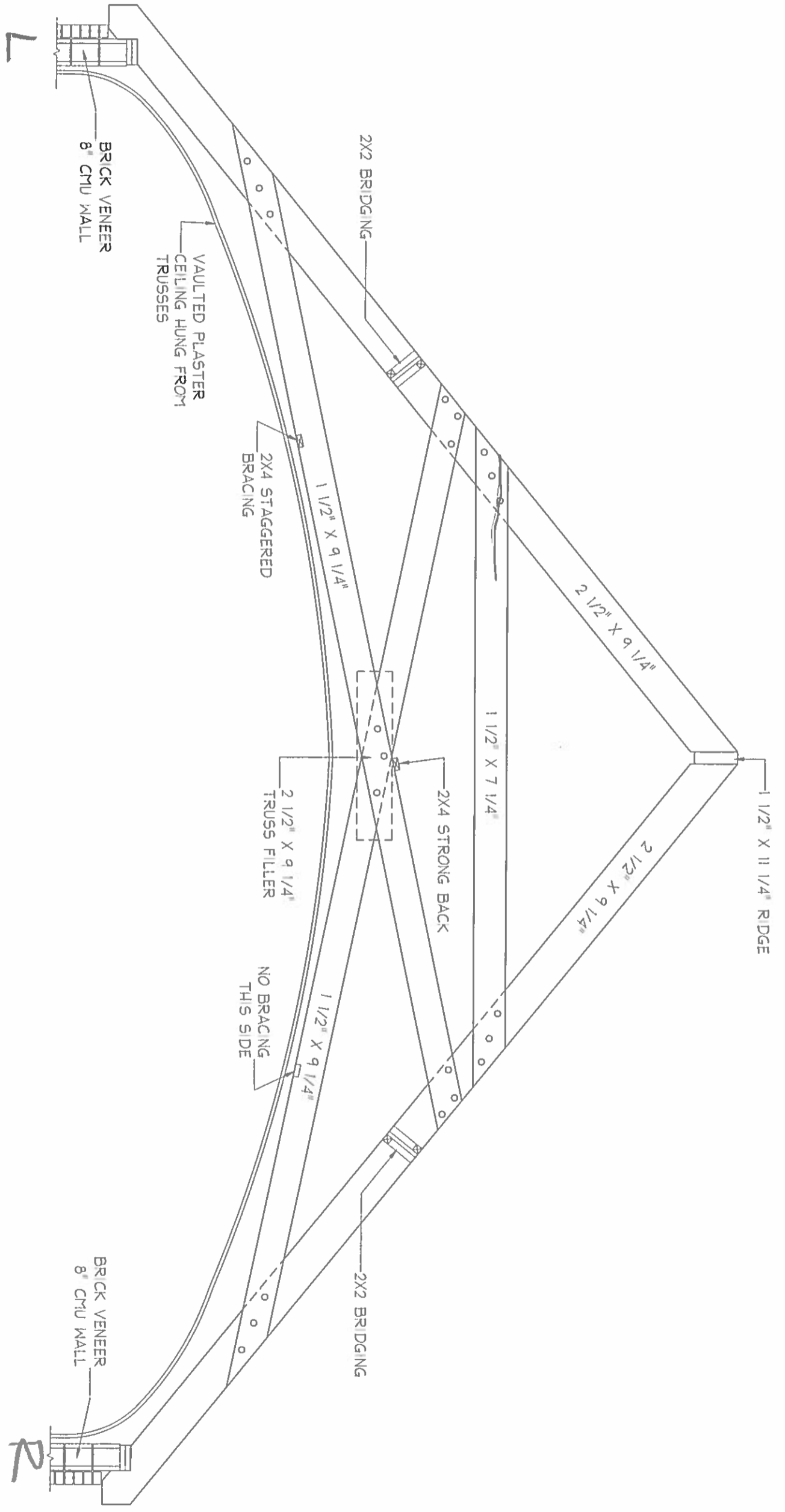
DRAWING:

TRUSS SURVEY ✓



DENNIS KOWAL ARCHITECTS
 52 West Main Street • Somerville • New Jersey 08876 • Telephone 908-231-0201 • Fax 908-218-7979

JOB NUMBER: #1407
 DRAWN BY: SMH
 SCALE: N.T.S.
 DATE: 9 APRIL 2014



TRUSS #: 14
 TRUSS SIDE: S F



DENNIS KOWAL ARCHITECTS
 52 West Main Street • Somerville • New Jersey 08876 • Telephone 908-231-0201 • Fax 908-218-7979

PROJECT:

ZION LUTHERAN CHURCH
 215 ELM AVENUE, RAHWAY, NJ 07065
 TRUSS SURVEY: SANCTUARY BUILDING

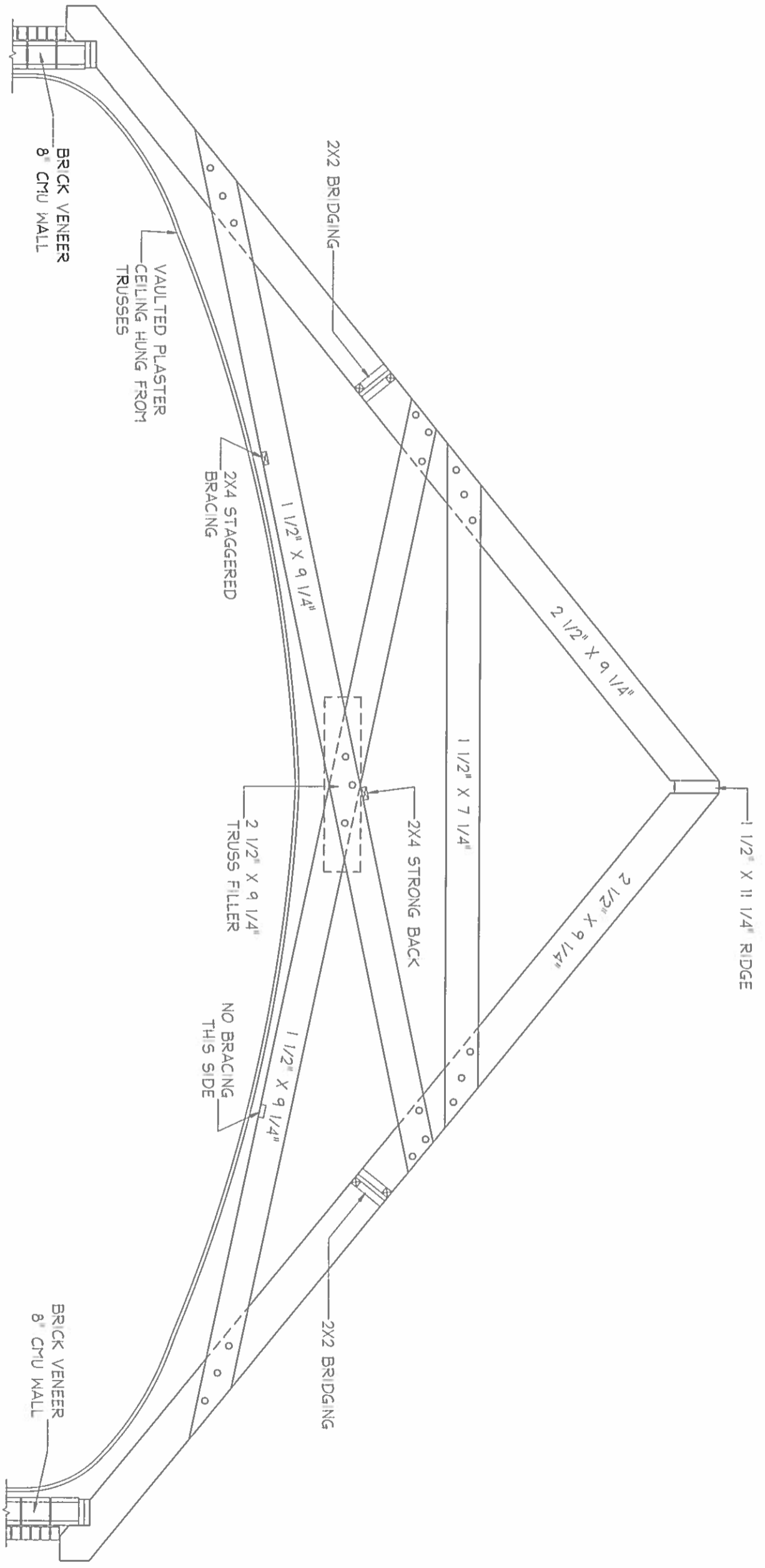
JOB NUMBER: #1407

DRAWN BY: SM11

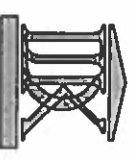
SCALE: N.T.S.
DATE: 9 APRIL 2014

DRAWING:

TRUSS
 SURVEY



TRUSS #: 14
 TRUSS SIDE: NB



DENNIS KOWAL ARCHITECTS
 52 West Main Street • Somerville • New Jersey 08876 • Telephone 908-231-0201 • Fax 908-218-7979

PROJECT:

ZION LUTHERAN CHURCH
 215 ELM AVENUE, RAHWAY, NJ 07065
 TRUSS SURVEY: SANCTUARY BUILDING

JOB NUMBER: #1407

DRAWN BY: SMH

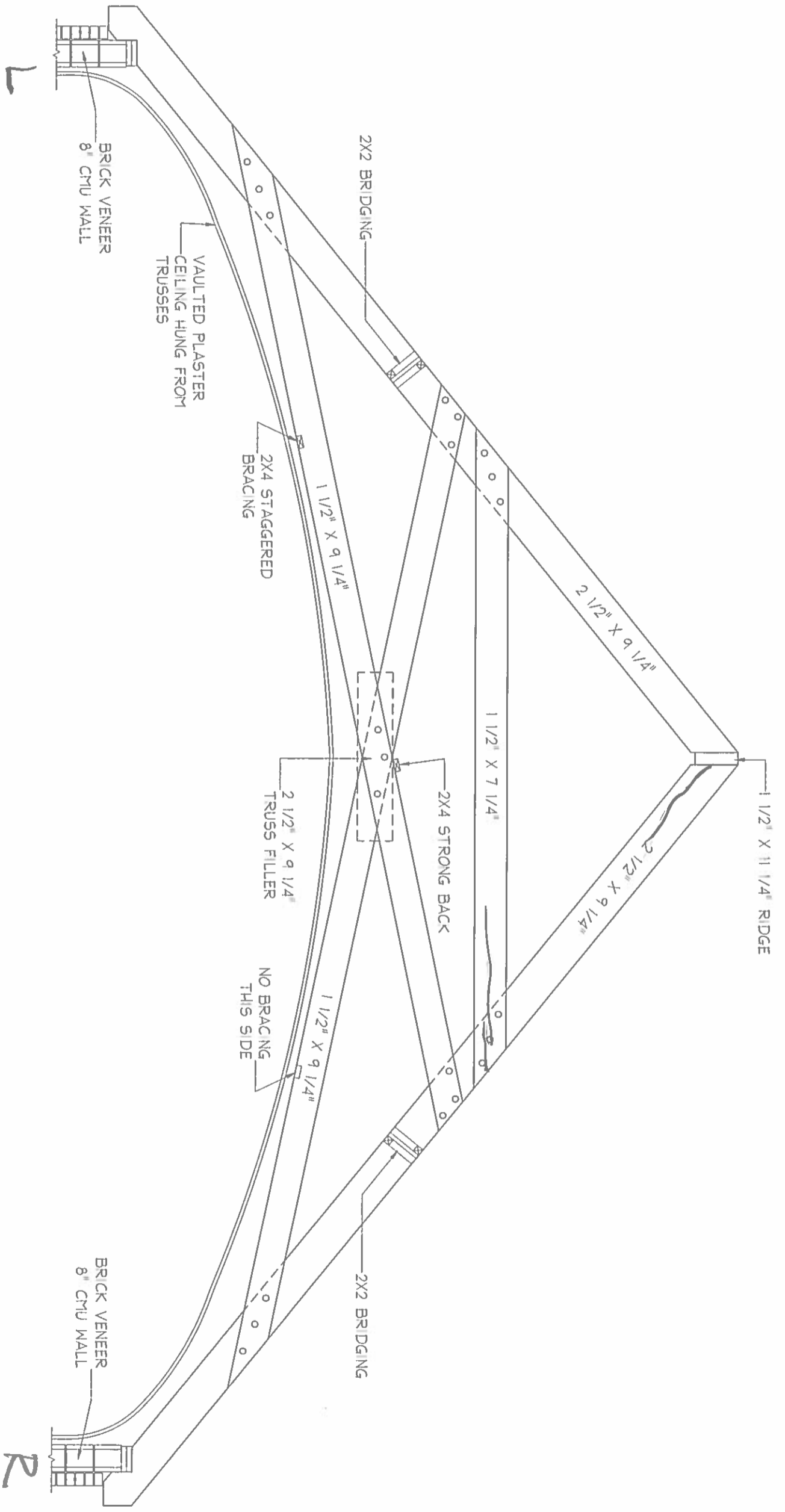
SCALE: N.T.S.

DATE: 9 APRIL 2014

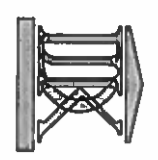
DRAWING:

TRUSS SURVEY





TRUSS #: 15
 TRUSS SIDE: S F



DENNIS KOWAL ARCHITECTS
 52 West Main Street • Somerville • New Jersey 08876 • Telephone 908-231-0201 • Fax 908-218-7979

PROJECT:

ZION LUTHERAN CHURCH
 215 ELM AVENUE, RAHWAY, NJ 07065
 TRUSS SURVEY: SANCTUARY BUILDING

JOB NUMBER: #1407

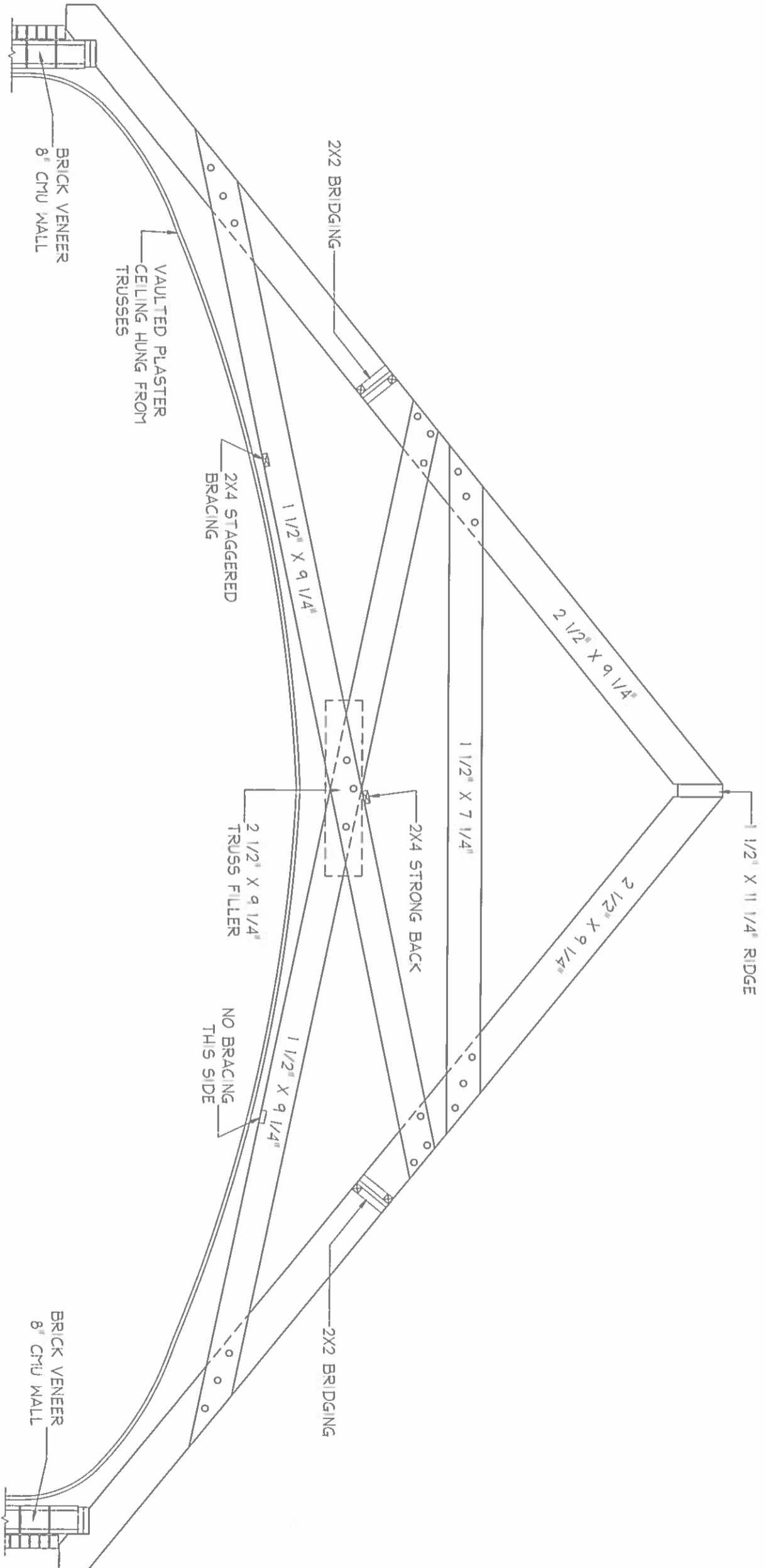
DRAWN BY: SMH

SCALE: N.T.S.

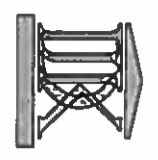
DATE: 9 APRIL 2014

DRAWING:

TRUSS
 SURVEY



TRUSS #: 15
 TRUSS SIDE: N B



DENNIS KOWAL ARCHITECTS
 52 West Main Street • Somerville • New Jersey 08876 • Telephone 908-231-0201 • Fax 908-218-7979

PROJECT:

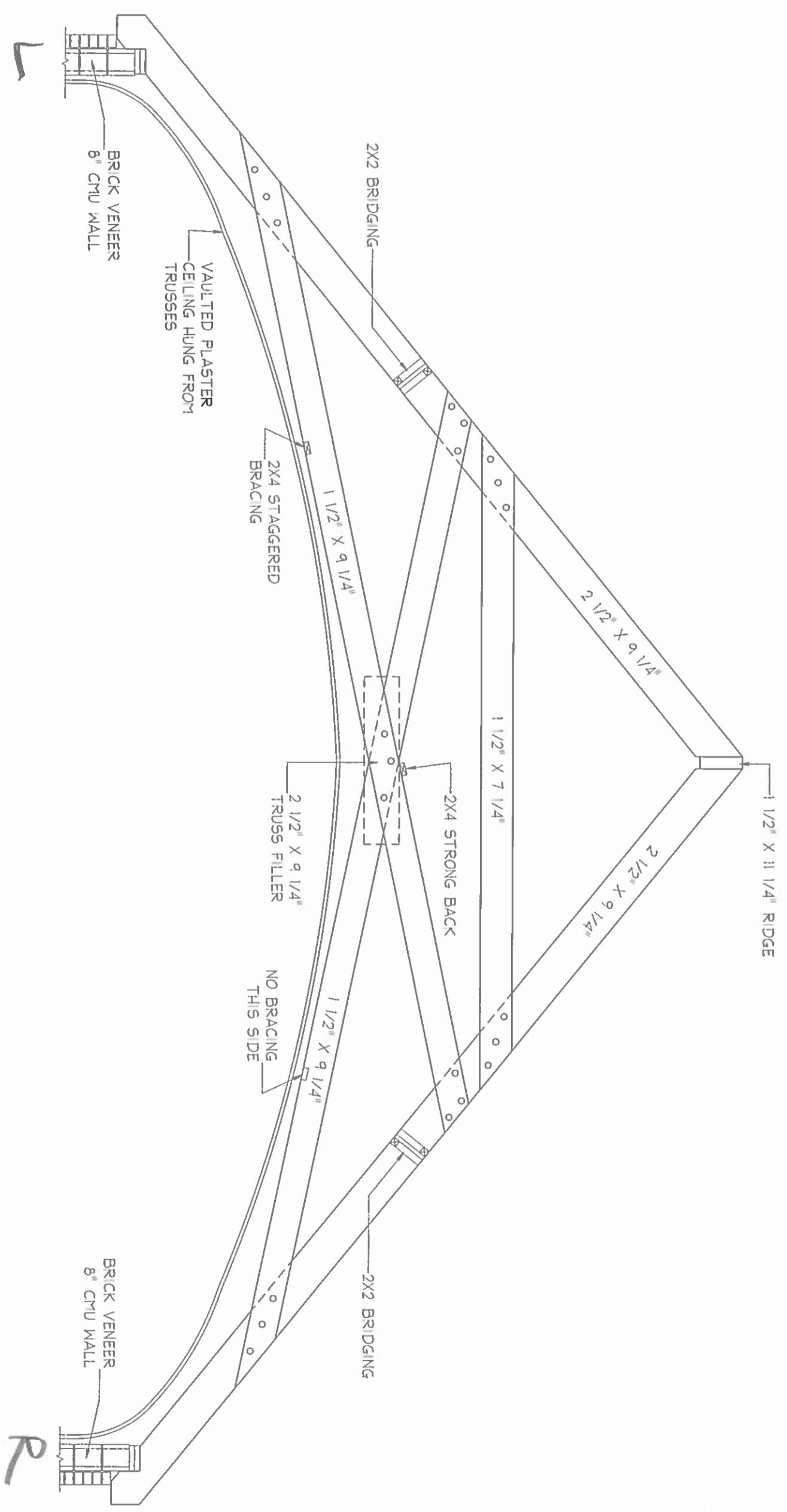
ZION LUTHERAN CHURCH
 215 ELM AVENUE, RAHWAY, NJ 07065
 TRUSS SURVEY: SANCTUARY BUILDING

JOB NUMBER: #1407
 DRAWN BY: SMH
 SCALE: N.T.S.
 DATE: 9 APRIL 2014

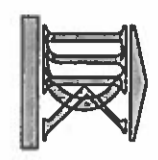
DRAWING:

TRUSS
 SURVEY





TRUSS #: 180
 TRUSS SIDE: S F



DENNIS KOWAL ARCHITECTS
 52 West Main Street • Somerville • New Jersey 08876 • Telephone 908-231-0201 • Fax 908-218-7979

PROJECT:

ZION LUTHERAN CHURCH
 215 ELM AVENUE, RAHWAY, NJ 07065
 TRUSS SURVEY: SANCTUARY BUILDING

JOB NUMBER: #1407

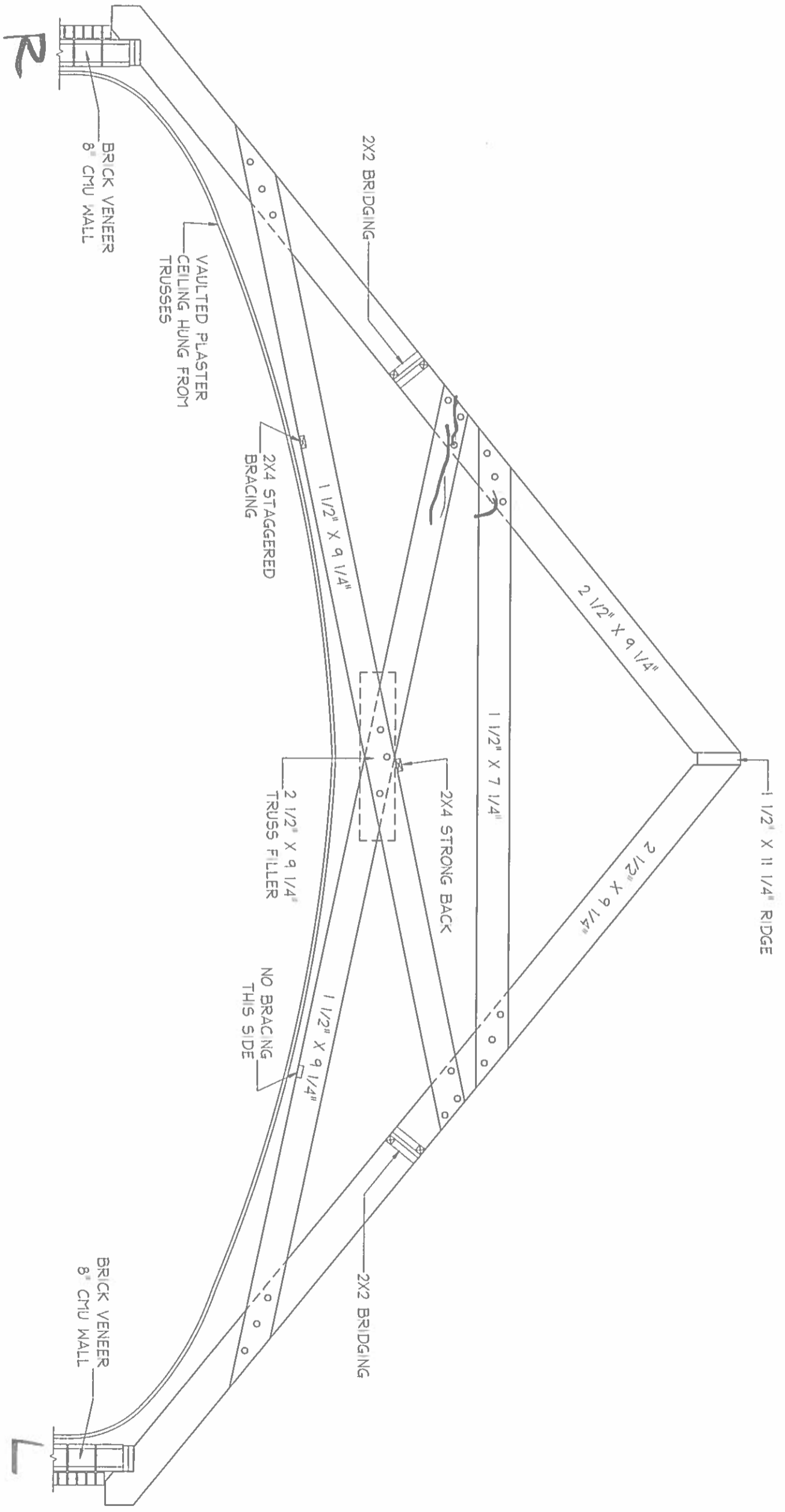
DRAWN BY: SMH

SCALE: N.T.S.

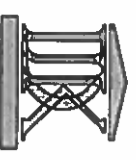
DATE: 9 APRIL 2014

DRAWING:

TRUSS SURVEY



TRUSS #: 18
 TRUSS SIDE: N B



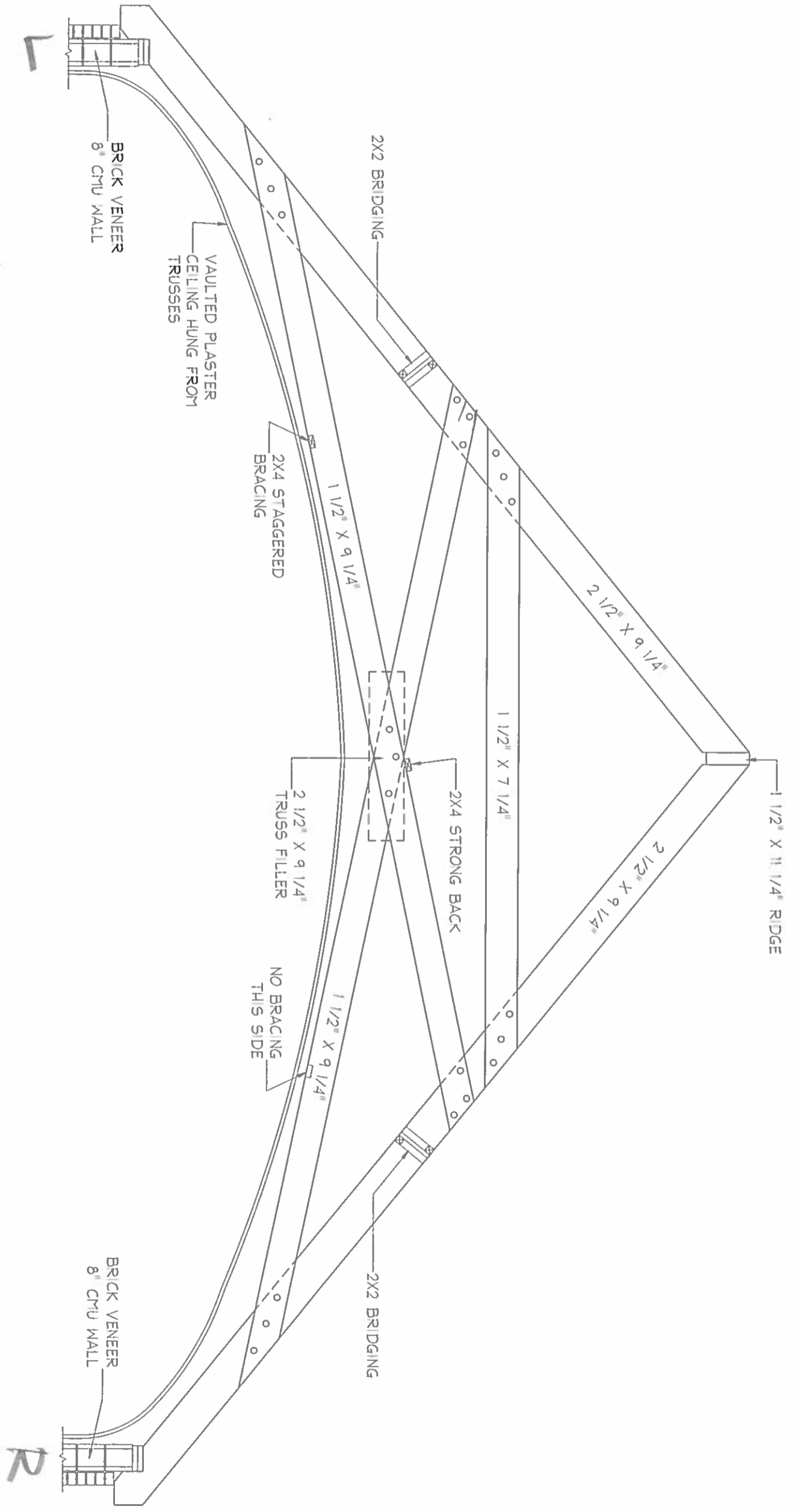
DENNIS KOWAL ARCHITECTS
 52 West Main Street • Somerville • New Jersey 08876 • Telephone 908-231-0201 • Fax 908-218-7979

PROJECT:

ZION LUTHERAN CHURCH
 215 ELM AVENUE, RAHWAY, NJ 07065
 TRUSS SURVEY: SANCTUARY BUILDING

JOB NUMBER: #1407
 DRAWN BY: SMM
 SCALE: N.T.S.
 DATE: 9 APRIL 2014

DRAWING:
 TRUSS
 SURVEY



TRUSS #: 19
 TRUSS SIDE: S



DENNIS KOWAL ARCHITECTS
 52 West Main Street • Somerville • New Jersey 08876 • Telephone 908-231-0201 • Fax 908-218-7979

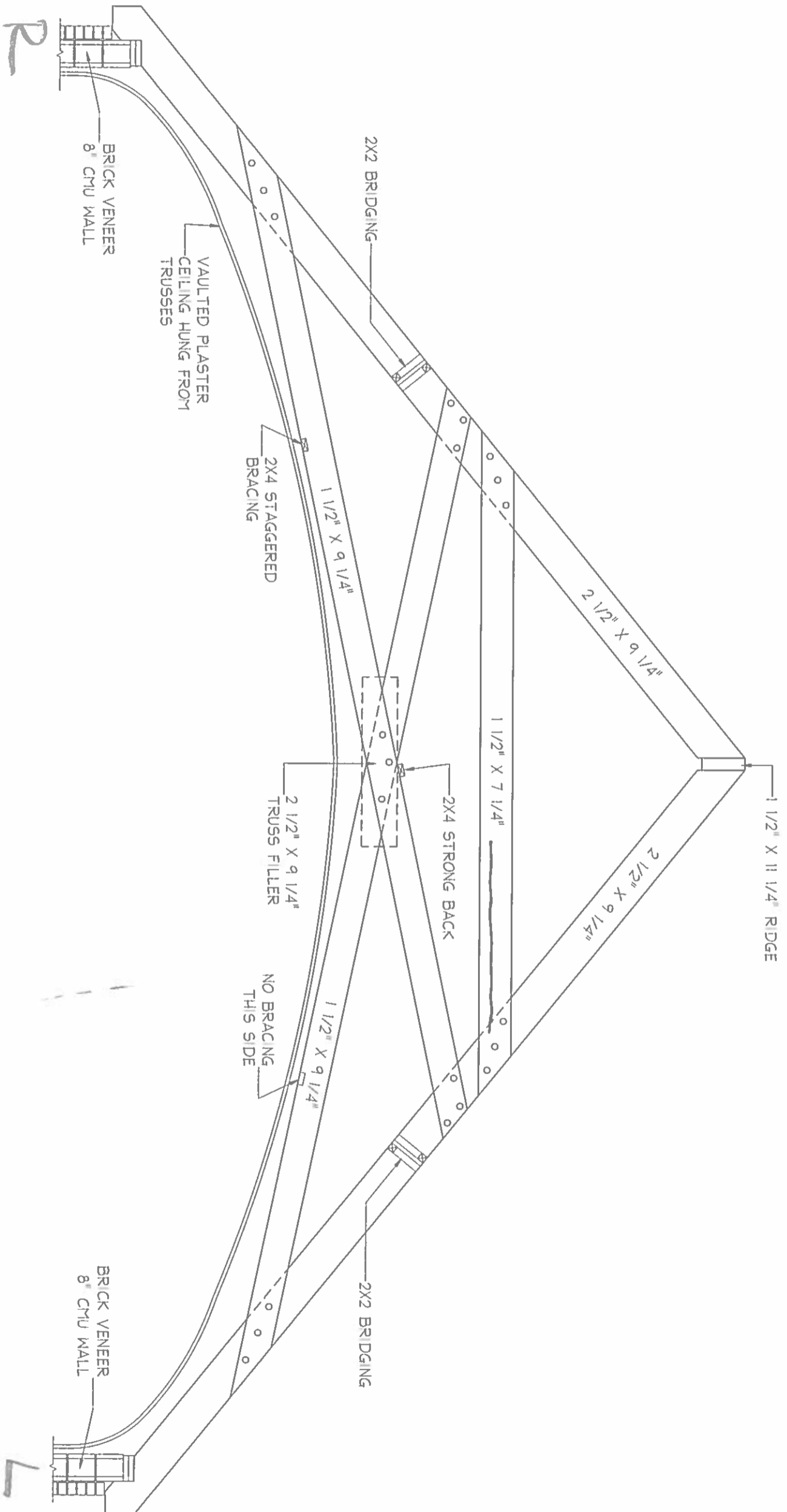
PROJECT:

ZION LUTHERAN CHURCH
 215 ELM AVENUE, RAHWAY, NJ 07065
 TRUSS SURVEY: SANCTUARY BUILDING

JOB NUMBER: #1407
 DRAWN BY: SMH
 SCALE: N.T.S.
 DATE: 9 APRIL 2014

DRAWING:

TRUSS
 SURVEY



TRUSS #: 19
 TRUSS SIDE: N B



DENNIS KOWAL ARCHITECTS
 52 West Main Street • Somerville • New Jersey 08876 • Telephone 908-231-0201 • Fax 908-218-7979

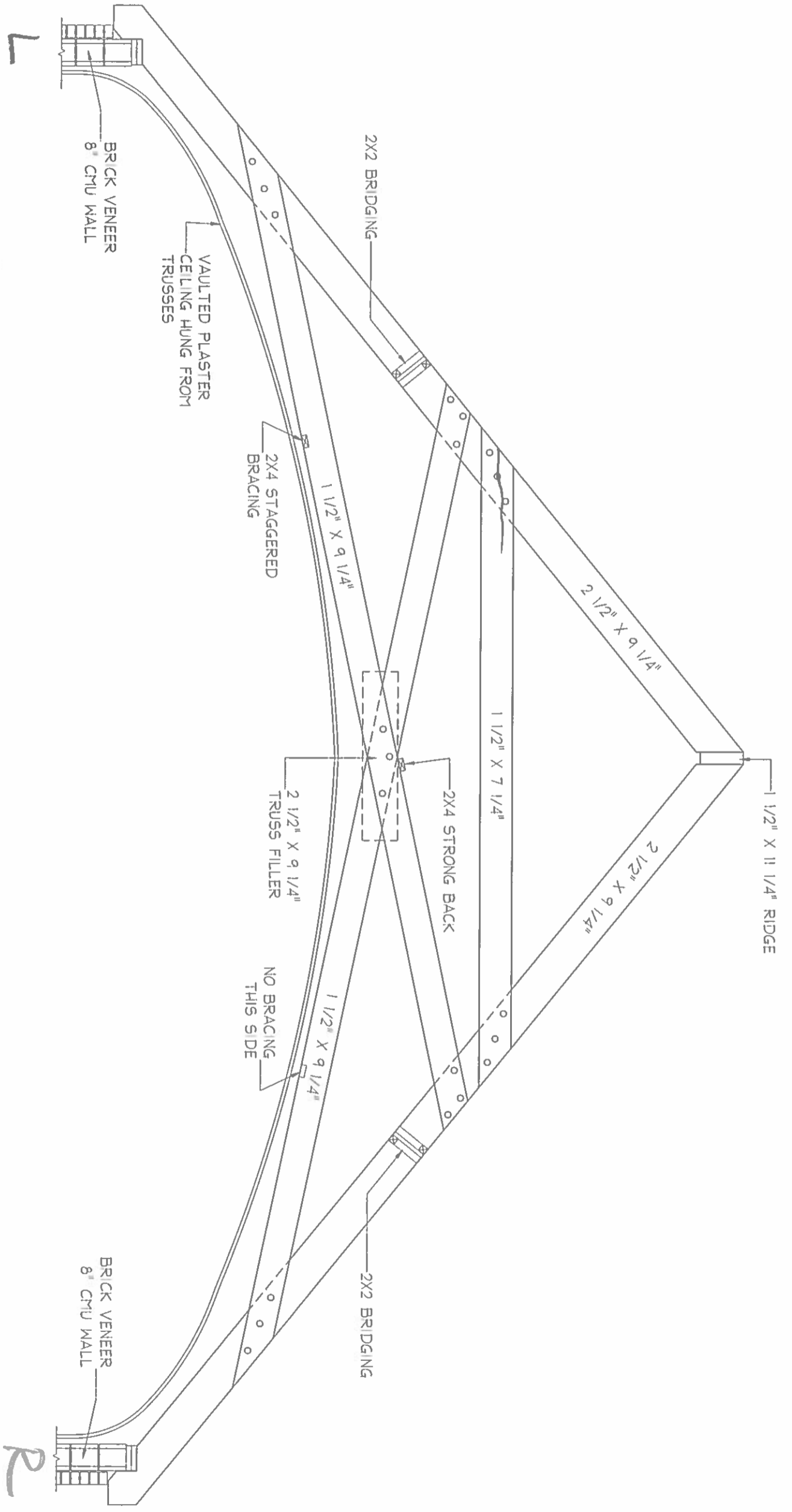
PROJECT:

ZION LUTHERAN CHURCH
 215 ELM AVENUE, RAHWAY, NJ 07065
 TRUSS SURVEY: SANCTUARY BUILDING

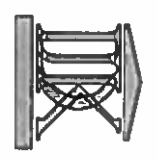
JOB NUMBER: #1407
 DRAWN BY: SHM
 SCALE: N.T.S.
 DATE: 9 APRIL 2014

DRAWING:

TRUSS
 SURVEY



TRUSS #: 20
 TRUSS SIDE: S F



DENNIS KOWAL ARCHITECTS
 52 West Main Street • Somerville • New Jersey 08876 • Telephone 908-231-0201 • Fax 908-218-7979

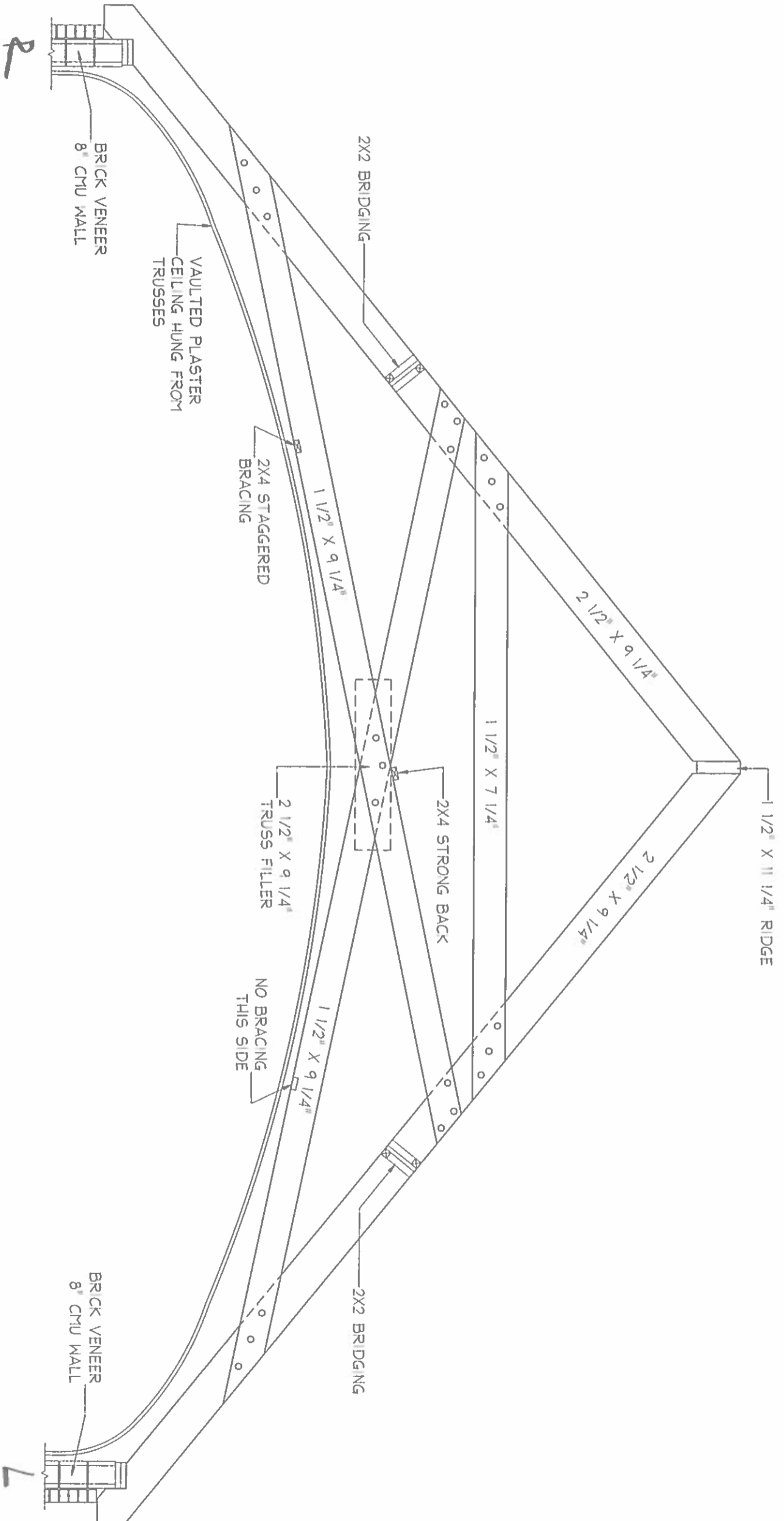
PROJECT:

ZION LUTHERAN CHURCH
 215 ELM AVENUE, RAHWAY, NJ 07065
 TRUSS SURVEY: SANCTUARY BUILDING

DRAWING:

TRUSS
 SURVEY

JOB NUMBER: #1407
 DRAWN BY: SMM
 SCALE: N.T.S.
 DATE: 9 APRIL 2014



TRUSS #: 20
 TRUSS SIDE: NB



DENNIS KOWAL ARCHITECTS
 52 West Main Street • Somerville • New Jersey 08876 • Telephone 908-231-0201 • Fax 908-218-7979

PROJECT:

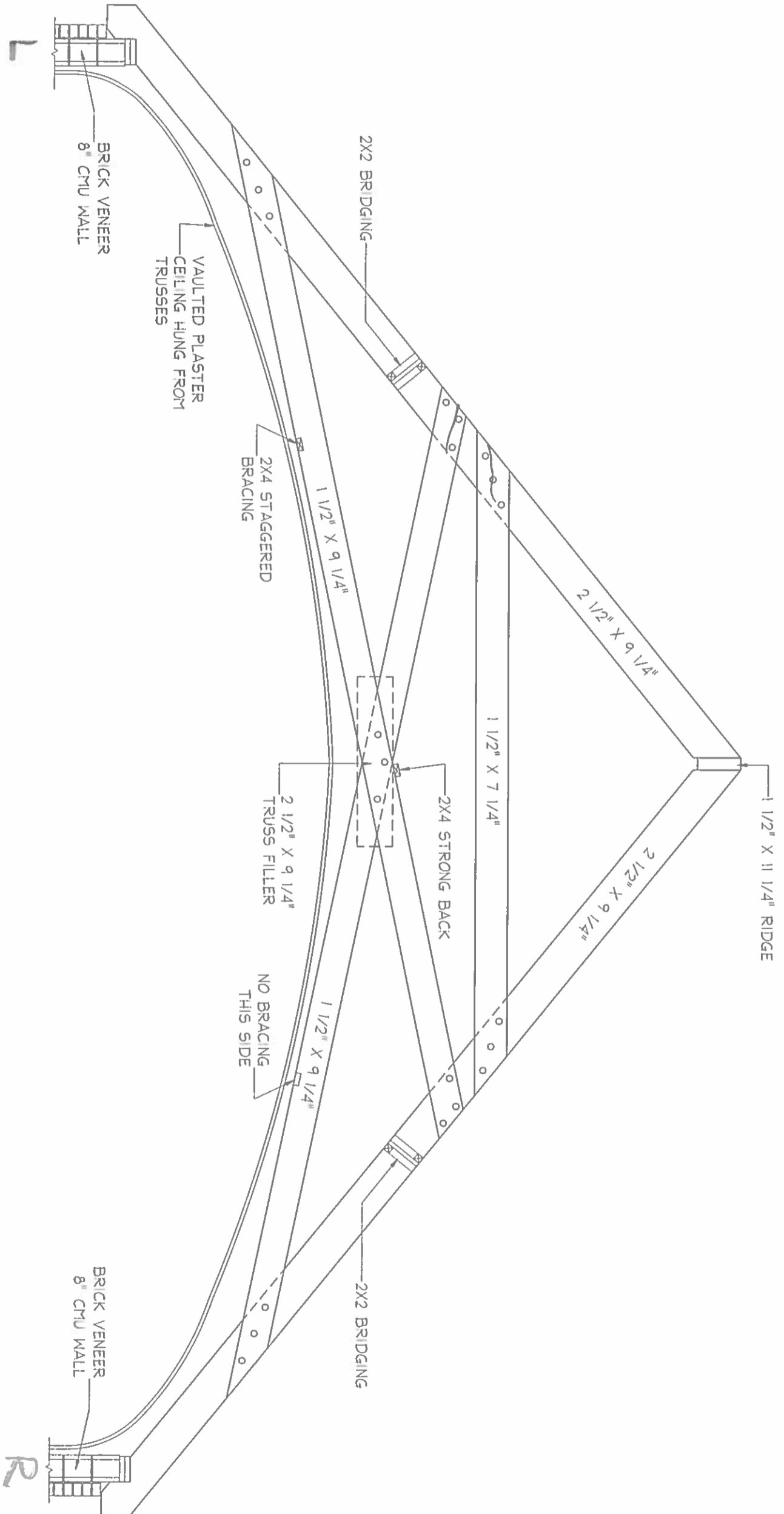
ZION LUTHERAN CHURCH
 215 ELM AVENUE, RAHWAY, NJ 07065
 TRUSS SURVEY: SANCTUARY BUILDING

JOB NUMBER: #1407
 DRAWN BY: SHM
 SCALE: N.T.S.
 DATE: 9 APRIL 2014

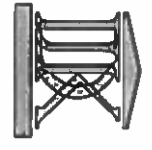
DRAWING:

TRUSS
 SURVEY





TRUSS #: 22
 TRUSS SIDE: S F



DENNIS KOWAL ARCHITECTS
 52 West Main Street • Somerville • New Jersey 08876 • Telephone 908-231-0201 • Fax 908-218-7979

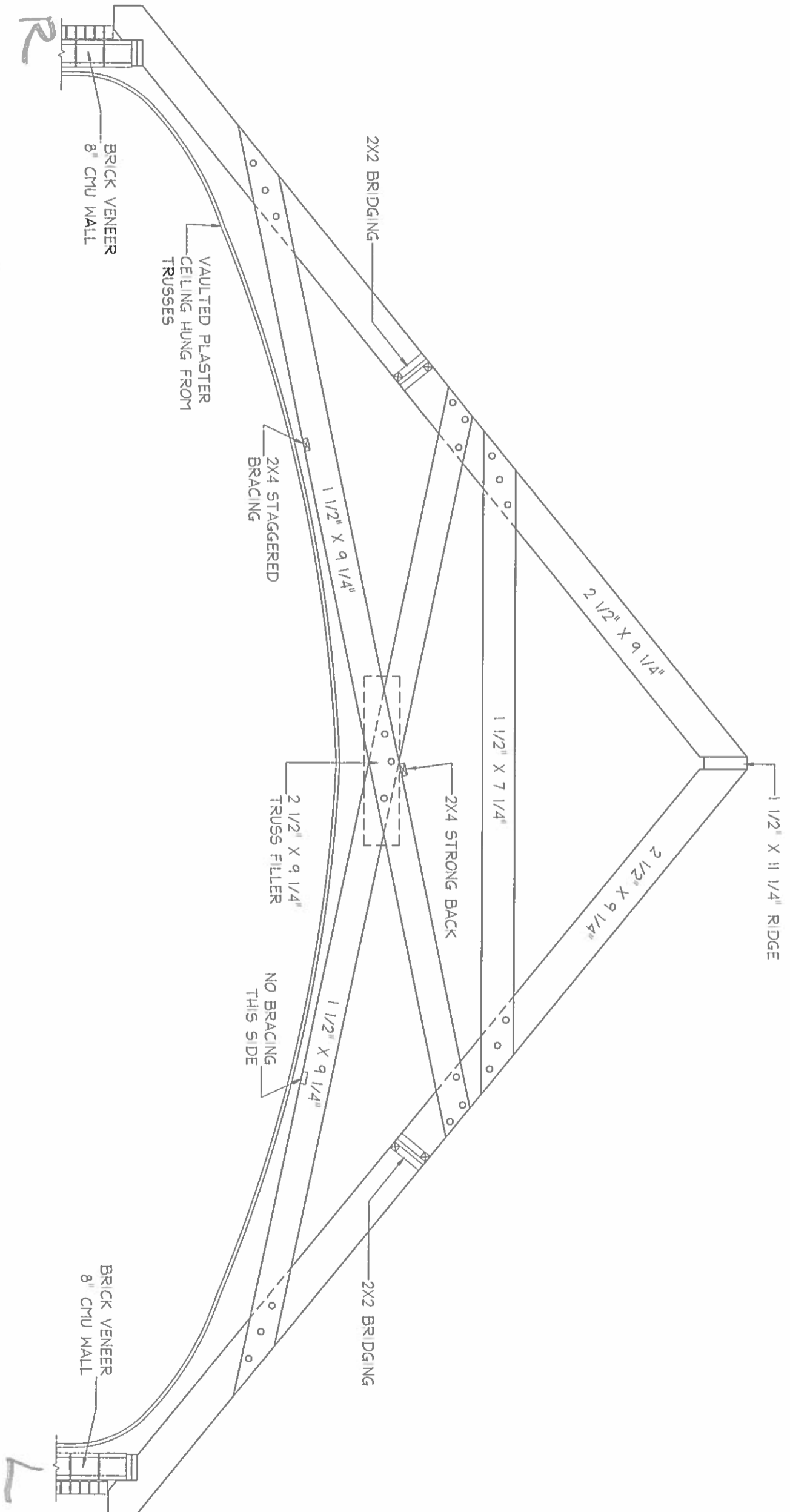
PROJECT:

ZION LUTHERAN CHURCH
 215 ELM AVENUE, RAHWAY, NJ 07065
 TRUSS SURVEY: SANCTUARY BUILDING

JOB NUMBER: #1407
 DRAWN BY: SHM
 SCALE: N.T.S.
 DATE: 9 APRIL 2014

DRAWING:

TRUSS
 SURVEY



TRUSS #: 22
 TRUSS SIDE: N B



DENNIS KOWAL ARCHITECTS
 52 West Main Street • Somerville • New Jersey 08876 • Telephone 908-231-0201 • Fax 908-218-7979

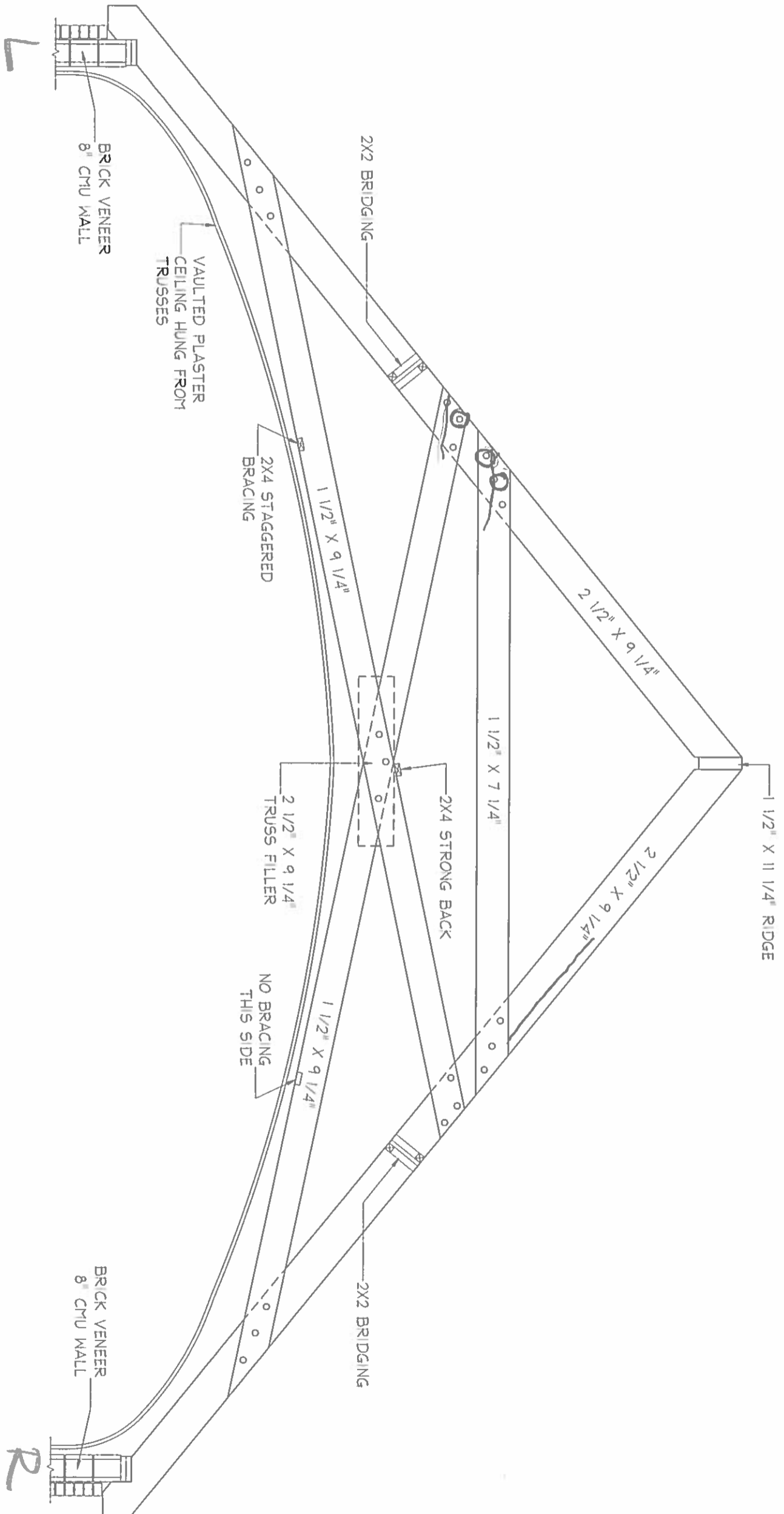
PROJECT:

ZION LUTHERAN CHURCH
 215 ELM AVENUE, RAHWAY, NJ 07065
 TRUSS SURVEY: SANCTUARY BUILDING

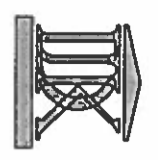
DRAWING:

TRUSS SURVEY

JOB NUMBER: #1407
 DRAWN BY: SM1
 SCALE: N.T.S.
 DATE: 9 APRIL 2014



TRUSS #: 23
 TRUSS SIDE: S F



DENNIS KOWAL ARCHITECTS
 52 West Main Street • Somerville • New Jersey 08876 • Telephone 908-231-0201 • Fax 908-218-7979

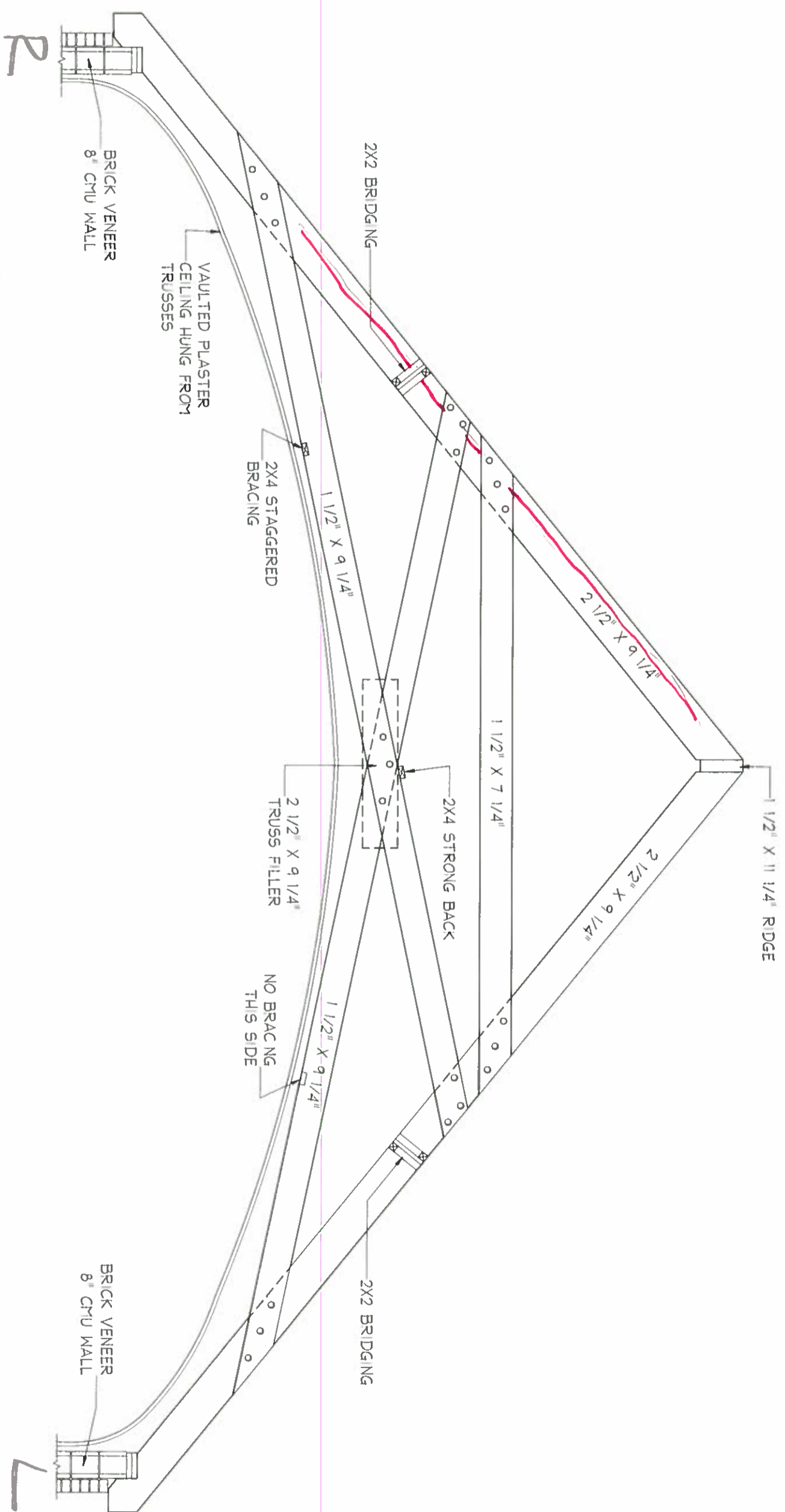
PROJECT:

ZION LUTHERAN CHURCH
 215 ELM AVENUE, RAHWAY, NJ 07065
 TRUSS SURVEY: SANCTUARY BUILDING

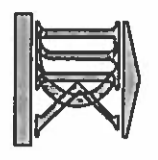
DRAWING:

TRUSS
 SURVEY

JOB NUMBER: #1407
 DRAWN BY: SM
 SCALE: N.T.S.
 DATE: 9 APRIL 2014



TRUSS #: 23
 TRUSS SIDE: N/B



DENNIS KOWAL ARCHITECTS
 52 West Main Street • Somerville • New Jersey 08876 • Telephone 908-231-0201 • Fax 908-218-7979

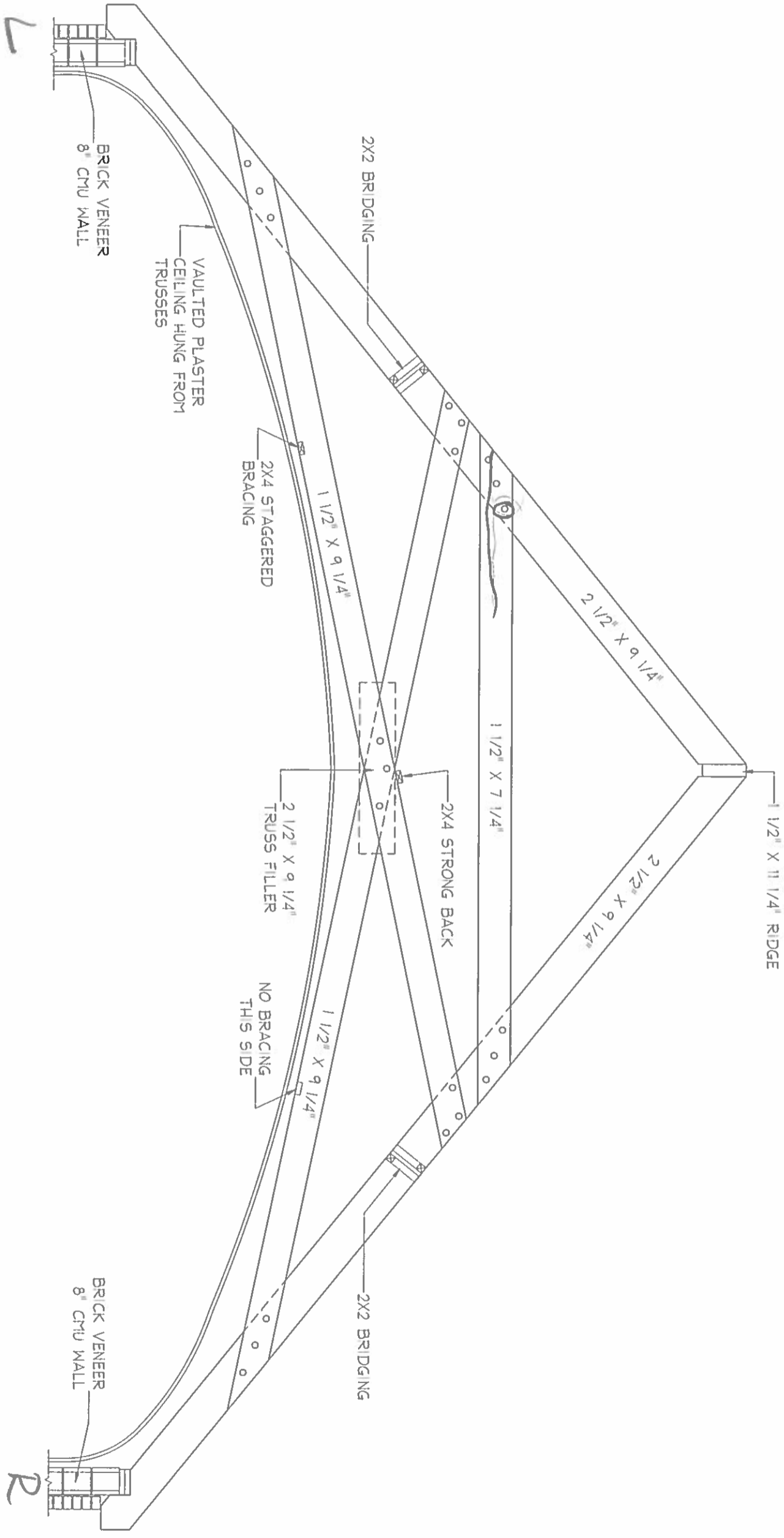
PROJECT:

ZION LUTHERAN CHURCH
 215 ELM AVENUE, RAHWAY, NJ 07065
 TRUSS SURVEY: SANCTUARY BUILDING

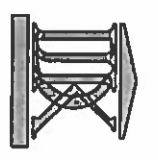
JOB NUMBER: #1407
 DRAWN BY: SMH
 SCALE: N.T.S.
 DATE: 9 APRIL 2014

DRAWING:

TRUSS
 SURVEY



TRUSS #: 24
 TRUSS SIDE: SF



DENNIS KOWAL ARCHITECTS
 52 West Main Street • Somerville • New Jersey 08876 • Telephone 908-231-0201 • Fax 908-218-7979

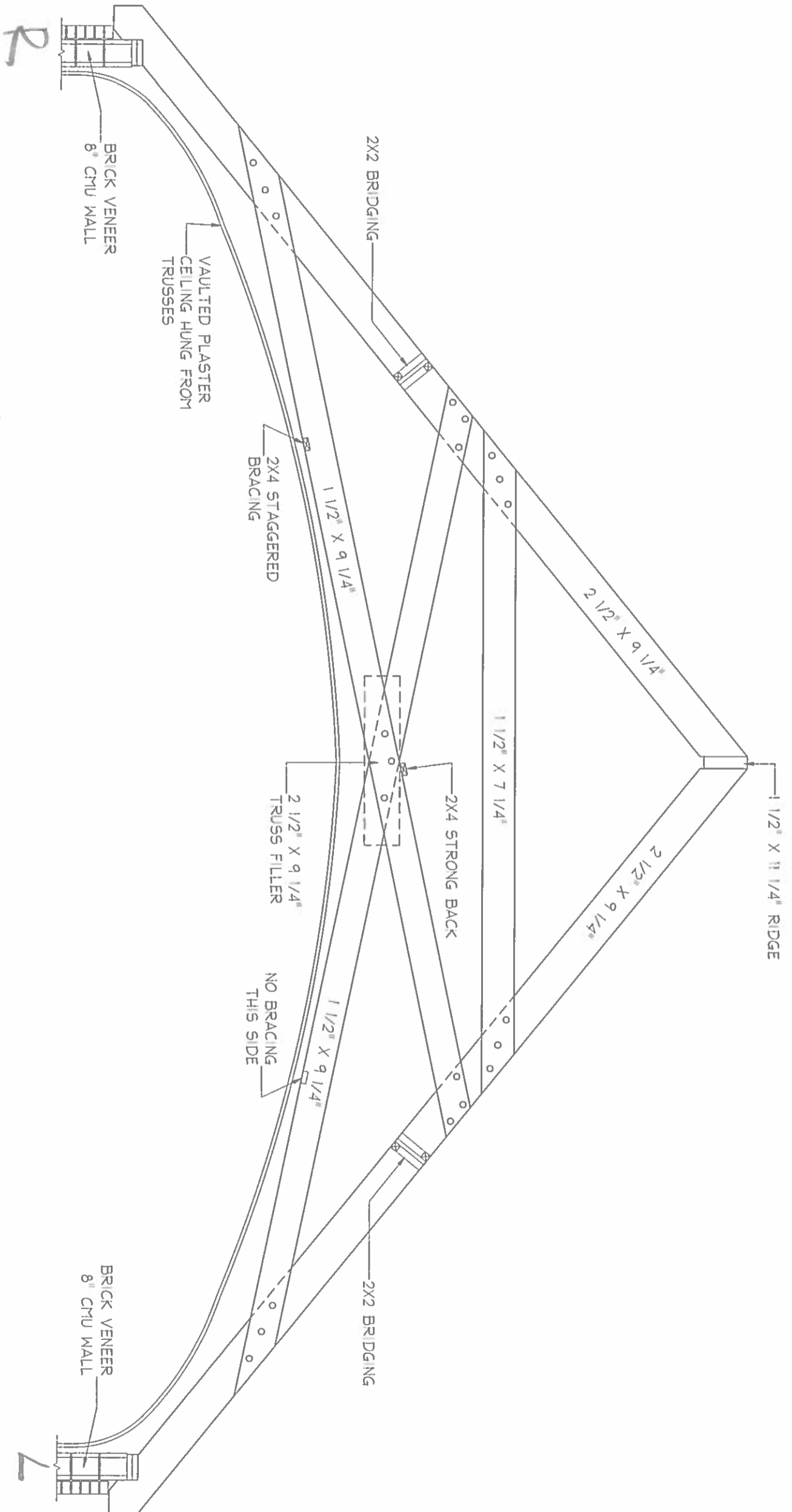
PROJECT:

ZION LUTHERAN CHURCH
 215 ELM AVENUE, RAHWAY, NJ 07065
 TRUSS SURVEY: SANCTUARY BUILDING

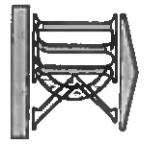
DRAWING:

TRUSS
 SURVEY

JOB NUMBER: #1407
 DRAWN BY: SHM
 SCALE: N.T.S.
 DATE: 9 APRIL 2014



TRUSS #: 24
 TRUSS SIDE: N 8



DENNIS KOWAL ARCHITECTS
 52 West Main Street • Somerville • New Jersey 08876 • Telephone 908-231-0201 • Fax 908-218-7979

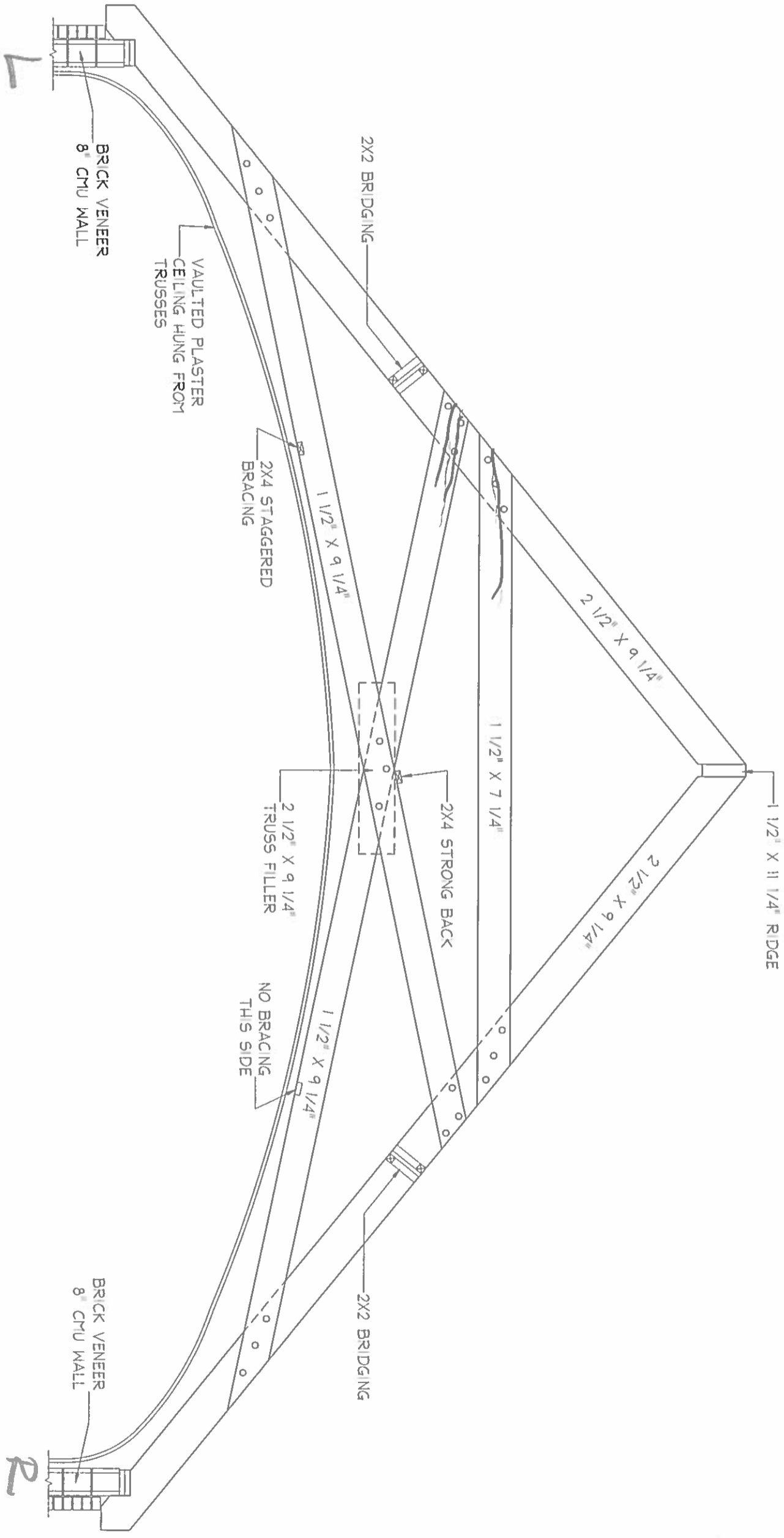
PROJECT:

ZION LUTHERAN CHURCH
 215 ELM AVENUE, RAHWAY, NJ 07065
 TRUSS SURVEY: SANCTUARY BUILDING

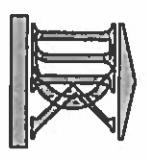
JOB NUMBER: #1407
 DRAWN BY: SHM
 SCALE: N.T.S.
 DATE: 9 APRIL 2014

DRAWING:

TRUSS
 SURVEY



TRUSS #: 260
 TRUSS SIDE: SF



DENNIS KOWAL ARCHITECTS
 52 West Main Street • Somerville • New Jersey 08876 • Telephone 908-231-0201 • Fax 908-218-7979

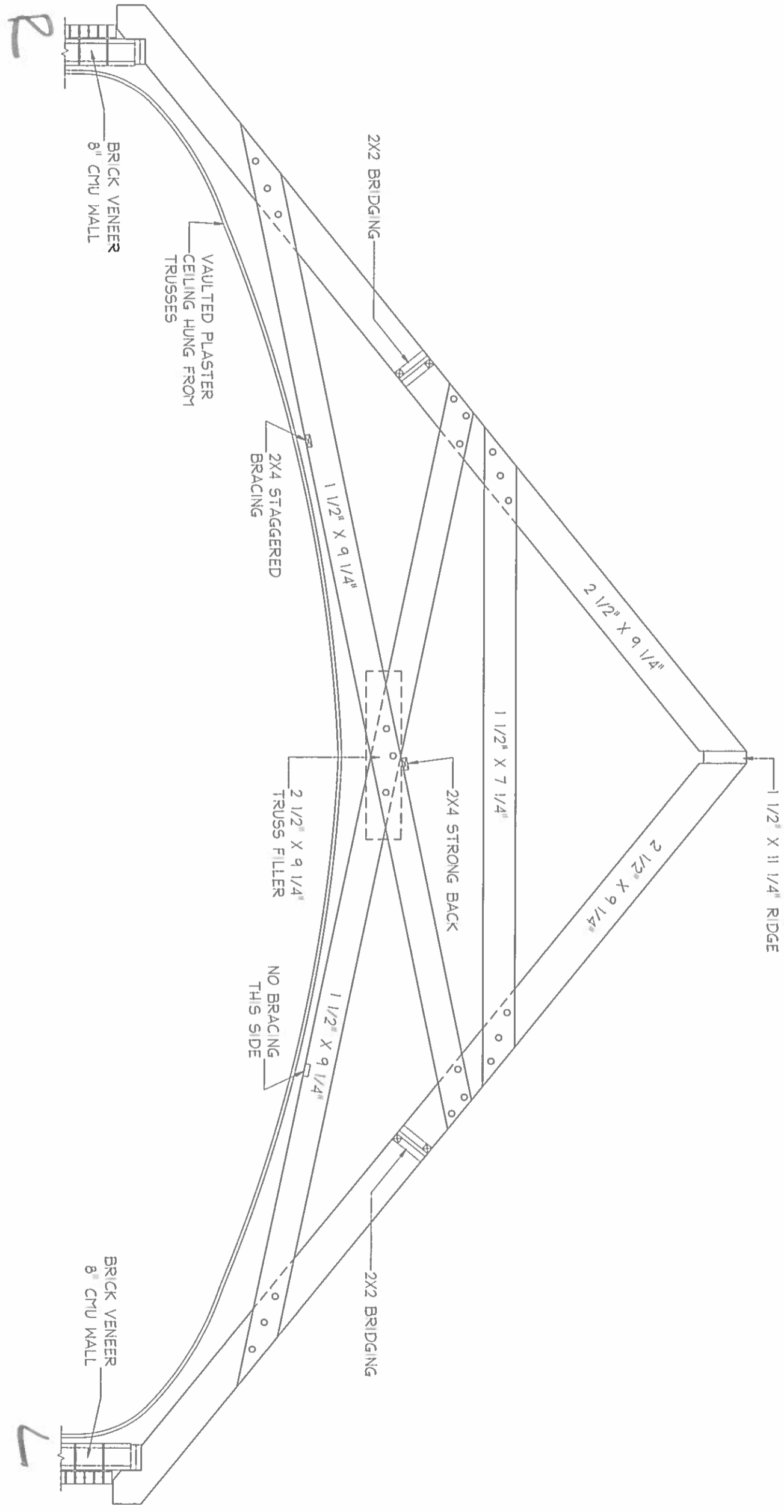
PROJECT:

ZION LUTHERAN CHURCH
 215 ELM AVENUE, RAHWAY, NJ 07065
 TRUSS SURVEY: SANCTUARY BUILDING

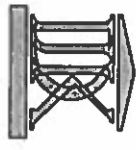
DRAWING:

TRUSS
 SURVEY

JOB NUMBER: #1407
 DRAWN BY: SMH
 SCALE: N.T.S.
 DATE: 9 APRIL 2014



TRUSS #: 26
 TRUSS SIDE: N/B



DENNIS KOWAL ARCHITECTS
 52 West Main Street • Somerville • New Jersey 08876 • Telephone 908-231-0201 • Fax 908-218-7979

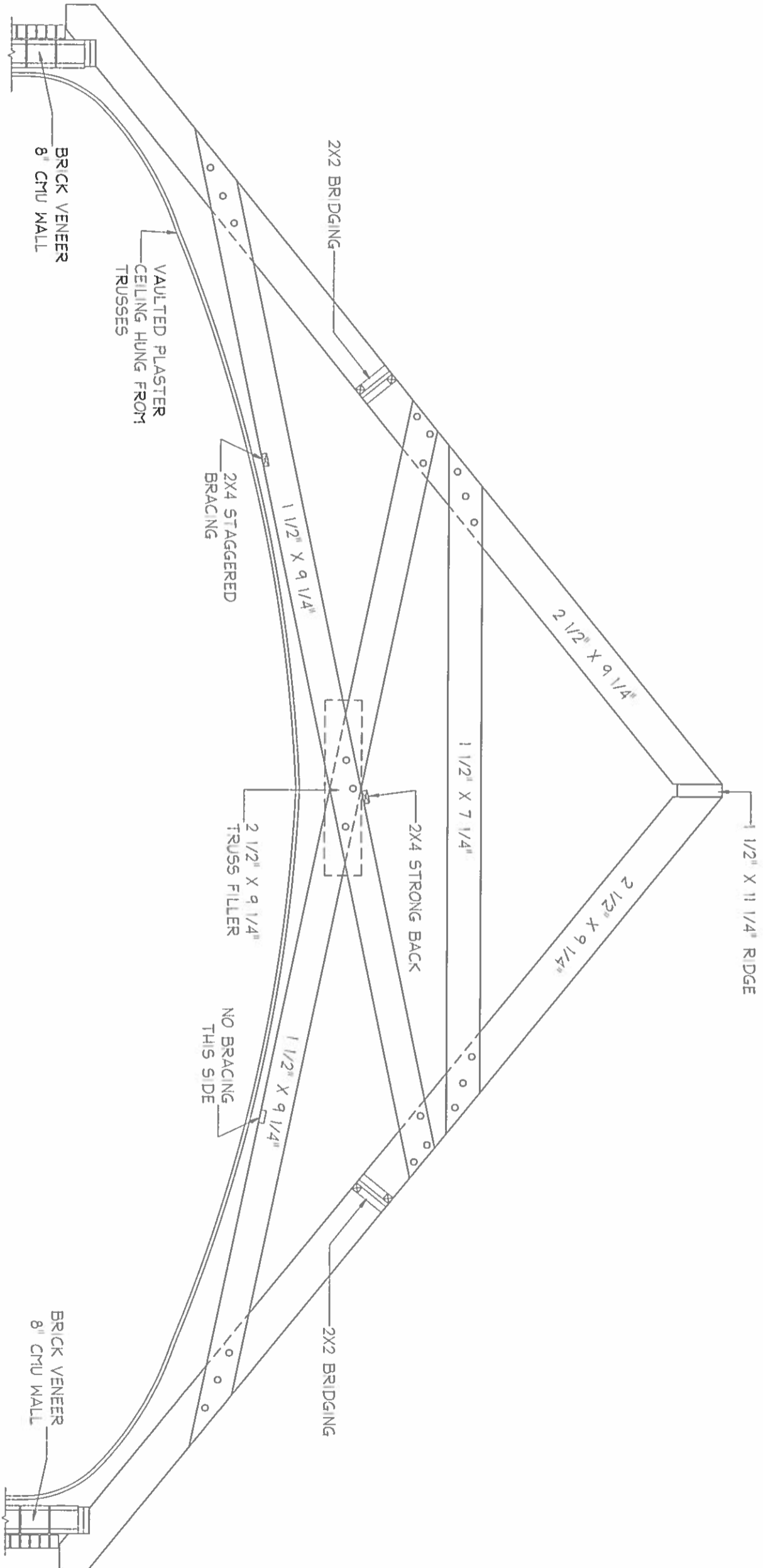
PROJECT:

ZION LUTHERAN CHURCH
 215 ELM AVENUE, RAHWAY, NJ 07065
 TRUSS SURVEY: SANCTUARY BUILDING

JOB NUMBER: #1407
 DRAWN BY: SHM
 SCALE: N.T.S.
 DATE: 9 APRIL 2014

DRAWING:

TRUSS
 SURVEY



TRUSS #: 280
 TRUSS SIDE: S F



DENNIS KOWAL ARCHITECTS
 52 West Main Street • Somerville • New Jersey 08876 • Telephone 908-231-0201 • Fax 908-218-7979

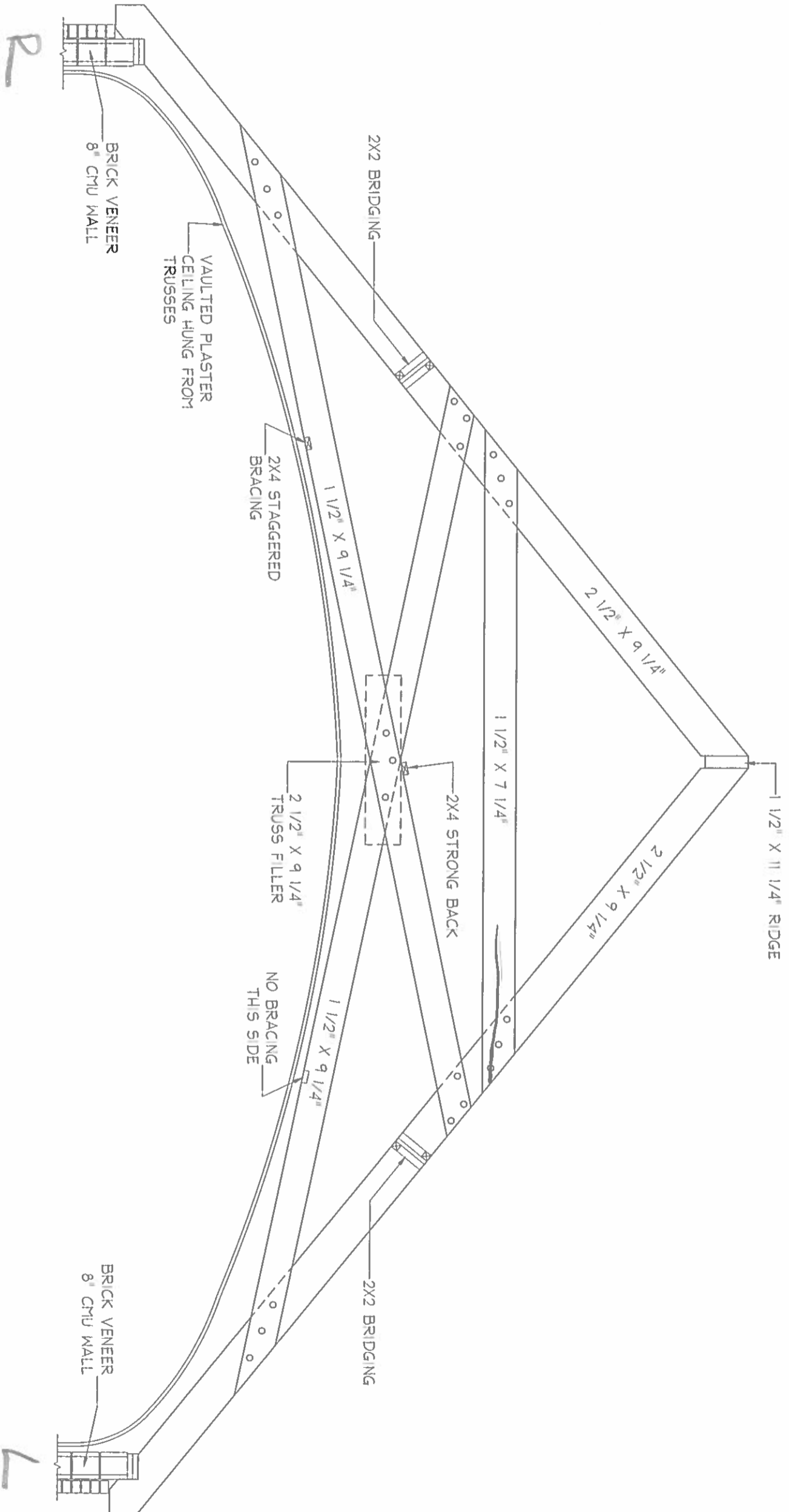
PROJECT:

ZION LUTHERAN CHURCH
 215 ELM AVENUE, RAHWAY, NJ 07065
 TRUSS SURVEY: SANCTUARY BUILDING

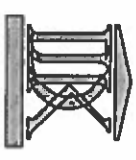
JOB NUMBER: #1407
 DRAWN BY: SMH
 SCALE: N.T.S.
 DATE: 9 APRIL 2014

DRAWING:

TRUSS
 SURVEY



TRUSS #: 28
 TRUSS SIDE: NB



DENNIS KOWAL ARCHITECTS
 52 West Main Street • Somerville • New Jersey 08876 • Telephone 908-231-0201 • Fax 908-218-7979

PROJECT:

ZION LUTHERAN CHURCH
 215 ELM AVENUE, RAHWAY, NJ 07065
 TRUSS SURVEY: SANCTUARY BUILDING

JOB NUMBER: #1407

DRAWN BY: SMH

SCALE: N.T.S.

DATE: 9 APRIL 2014

DRAWING:

TRUSS
 SURVEY